

WOOD STUD SHEAR WALL SCHEDULE (SW_)				
MARK	MATERIAL AND ATTACHMENT	SILL PLATE ATTACHMENT		MARK
		FOUNDATIONS (1) (5)		
SW6	1/2" BLOCKED APA "CDX" SHEATHING WITH 10d NAILS AT 6" O.C. AT EDGES & 12" O.C. FIELD	5/8" A.B. AT 32" O.C.		---
SW4	1/2" BLOCKED APA "CDX" SHEATHING WITH 10d NAILS AT 4" O.C. AT EDGES & 12" O.C. FIELD	5/8" A.B. AT 24" O.C.		---
SW3	1/2" BLOCKED APA "CDX" SHEATHING WITH 10d NAILS AT 3" O.C. AT EDGES & 12" O.C. FIELD	5/8" A.B. AT 16" O.C.		(2)(3)
SW2	1/2" BLOCKED APA "CDX" SHEATHING WITH 10d NAILS AT 2" O.C. AT EDGES & 12" O.C. FIELD	5/8" A.B. AT 12" O.C.		(2)(3)
SW33	1/2" BLOCKED APA "CDX" SHEATHING WITH 10d NAILS AT 3" O.C. AT EDGES & 12" O.C. FIELD - TYPICAL EACH FACE	5/8" A.B. AT 8" O.C.		(2)(3)(4)
SW6G	5/8" GYPSBOARD SHEATHING WITH #6 DRYWALL SCREWS AT 3" O.C. AT EDGES AND 12" O.C. FIELD (BLOCKED)	5/8" A.B. AT 32" O.C.		---

HOLDOWN SCHEDULE					
MARK	HOLDOWN	POST ATTACHMENT	POST	UPLIFT	ANCHOR
HD1	CS16	11-10d TOP AND BOTTOM	2 - 2X POST (MINIMUM)	1705#	---
HD2	CMST14	33-10d EACH END	2 - 2X POST (MINIMUM)	6475#	---
HD3	H08	20 - SDS 1/4" X 2 1/2" SCREWS	6x6	7870#	3/4" DIA ANCHOR BOLT WITH 10" MINIMUM EMBED INTO FOOTING
HD4	H05	14 - SDS 1/4" X 2 1/2" SCREWS	2 - 2X POST (MINIMUM)	5645#	5/8" DIA ANCHOR BOLT WITH 8" MINIMUM EMBED INTO FOOTING
HD5	H014	36 - SDS 1/4" X 2 1/2" SCREWS	6x6	14445#	1" DIA ANCHOR BOLT WITH 12" MINIMUM EMBED INTO FOOTING

FOOTING SCHEDULE (F_)				
MARK	SIZE	THICKNESS	REINFORCING	NOTES
F1	2'-0"x2'-0"	10"	3 #5 EACH WAY	---

WALL FOOTING SCHEDULE (WF_)				
MARK	WIDTH	THICKNESS	REINFORCING	NOTES
WF1	1'-4"	10"	2 #5	---
WF2	2'-0"	10"	2 #5	---
WF3	3'-0"	16"	4 #5 TOPMOST AND BOTTOMMOST	#5 AT 16" O.C. TOP AND BOTTOM
WF4	4'-0"	16"	5 #5 TOPMOST AND BOTTOMMOST	#5 AT 12" O.C. TOP AND BOTTOM

WOOD COLUMN SCHEDULE (WC_)			
MARK	SIZE	BASE CONNECTION	NOTES
WC1	6x6	SEE DETAIL 21	---

STEEL COLUMN SCHEDULE (SC_)			
MARK	SIZE	BASE CONNECTION	NOTES
SC1	HSS 3x3x3/16	1/2x9x0'-9" STEEL BASE PLATE WITH (4) 5/8" DIA (MIN) ANCHOR BOLTS	(4)

PREFAB WOOD FLOOR TRUSS SCHEDULE (FT_)				
MARK	PROFILE	TL/LL (PSF)	SPACING	NOTES
FT1		70/40	(4)	---
FT2		70/40	(4)	---
FT3		70/40	(4)	---
FT4		70/40	(4)	---

PREFAB WOOD ROOF TRUSS SCHEDULE (RT_)				
MARK	PROFILE	TL/LL	MAX SPACING (7)	NOTES
RT1		40/20	---	---
RT2		40/20	---	---
RT3		85/60	---	---
RT4		85/60	---	---
RT5		85/40	---	---
RT6		85/60	---	---
RT7		40/20	---	---
RT8		40/20	---	---
RT9		40/20	---	---
RT10		40/20	---	---
RT11		40/20	---	---

BEAM SCHEDULE (B_)			
MARK	SIZE	BEARING STUDS U.N.O.	NOTES
B1	5 1/8x18 GLB (C=STD)	WC1 OR (4) 2x6	---
B2	5 1/8x18 GLB (C=0")	(3) 2x6	(4)
B3	5 1/8x18 GLB (C=0")	(3) 2x6	(1)
B4	3 1/8x18 GLB (C=STD) (MIN)	(2) 2x6	(4)(5)
B5	5 1/8x18 GLB (C=STD)	WC1 OR (4) 2x6	(2)(6)
B6	6x8	4 - 2x6	(3)
B7	3 1/8x18 GLB (C=STD)	2 - 2x6	---

HEADER SCHEDULE (H_)				
MARK	SIZE	BEARING STUDS U.N.O.	FULL HEIGHT STUDS	NOTES
H1	6x6	1 - 2x6	2 - 2x6	
H2	6x8	2 - 2x6	2 - 2x6	
H3	5 1/8x18 GLB (C=STD)	WC1	2 - 2x6	
H4	5 1/8x18 GLB (C=STD)	(2) 2x6	2 - 2x6	(1)
H5	6x12	(2) 2x6	2 - 2x6	
H6	5 1/8x10 1/2 GLB	(2) 2x6	2 - 2x6	

STEEL BEAM SCHEDULE (SB_)		
MARK	SIZE	NOTES
SB1	C 12x20.7	(1)
SB2	MC 6x12	(1)

JOIST SCHEDULE (J_)			
MARK	SIZE	MAX SPACING	NOTES
J1	2x4	24" O.C.	(1)

LEDGER SCHEDULE (L_)			
MARK	SIZE	CONNECTION	NOTES
L1	3x12	(4) SIMPSON SDWS SCREWS AT EACH STUD	(1)(2)
L2	3 1/2x18 PSL	(6) SIMPSON SDWS SCREWS AT EACH STUD AND (4) SDWS SCREWS EACH BLOCK	(1)(2)
L3	2x8	(2) SIMPSON SDWS SCREWS AT EACH STUD	(2)
L4	2x12	(2) SIMPSON SDWS SCREWS AT 16" O.C. TO BEAM	---

CONSTRUCTION DOCUMENTS		
Revision Schedule		
No.	Date	Description
	05.21.19	CITY COMMENTS
	08.13.19	CITY COMMENTS - SECOND REVIEW

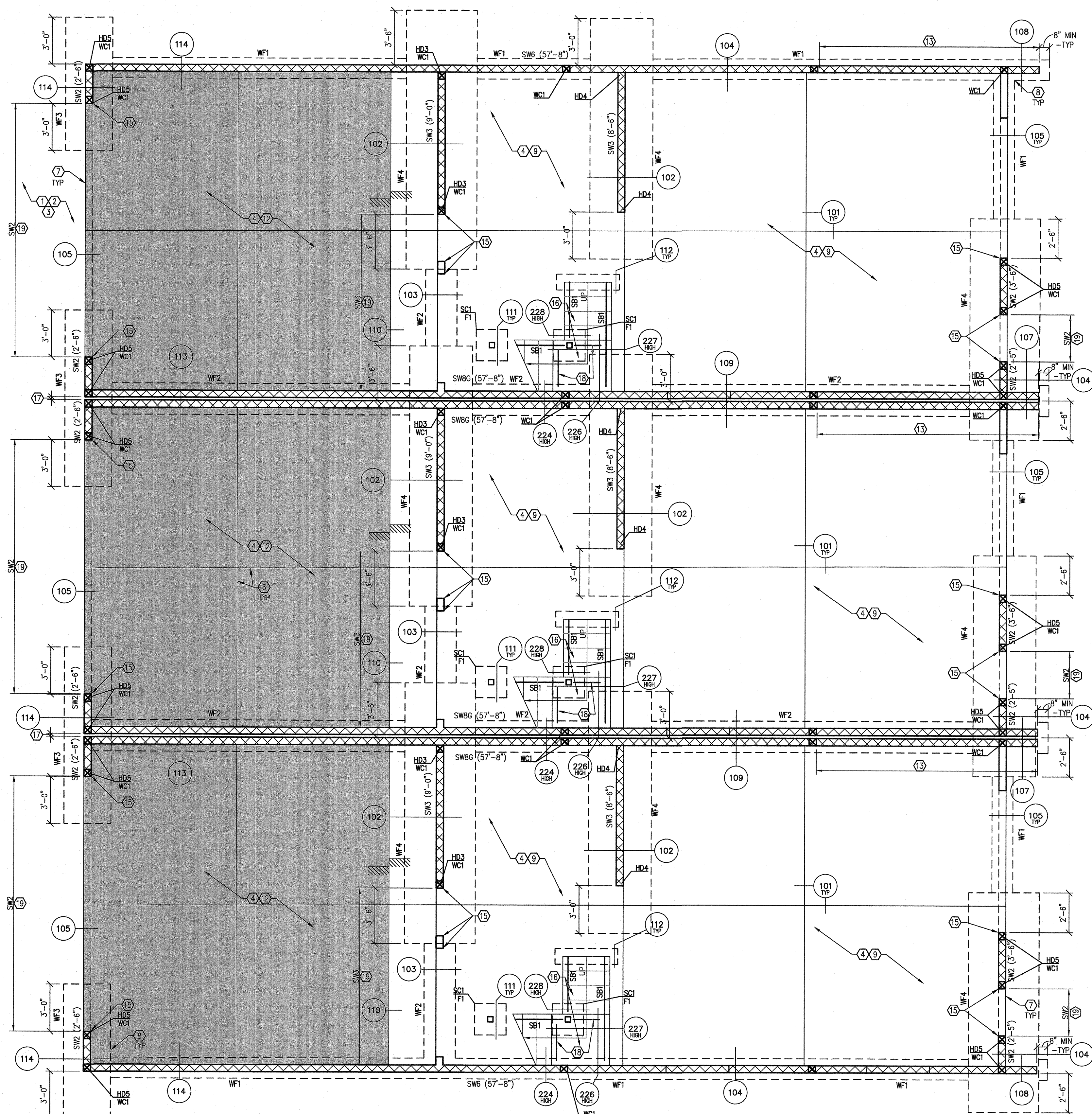
CITY OF PHOENIX
Planning and Development Department

By:
(BEAD ABURAN)

2019

This set of plans has been reviewed for STRUCTURAL requirements prior to issuance of Building Permit and shall be used at the construction site. Such review does not prevent the Building Official from requiring correction of errors in this plan where such errors are subsequently found to be in violation of any law or ordinance.

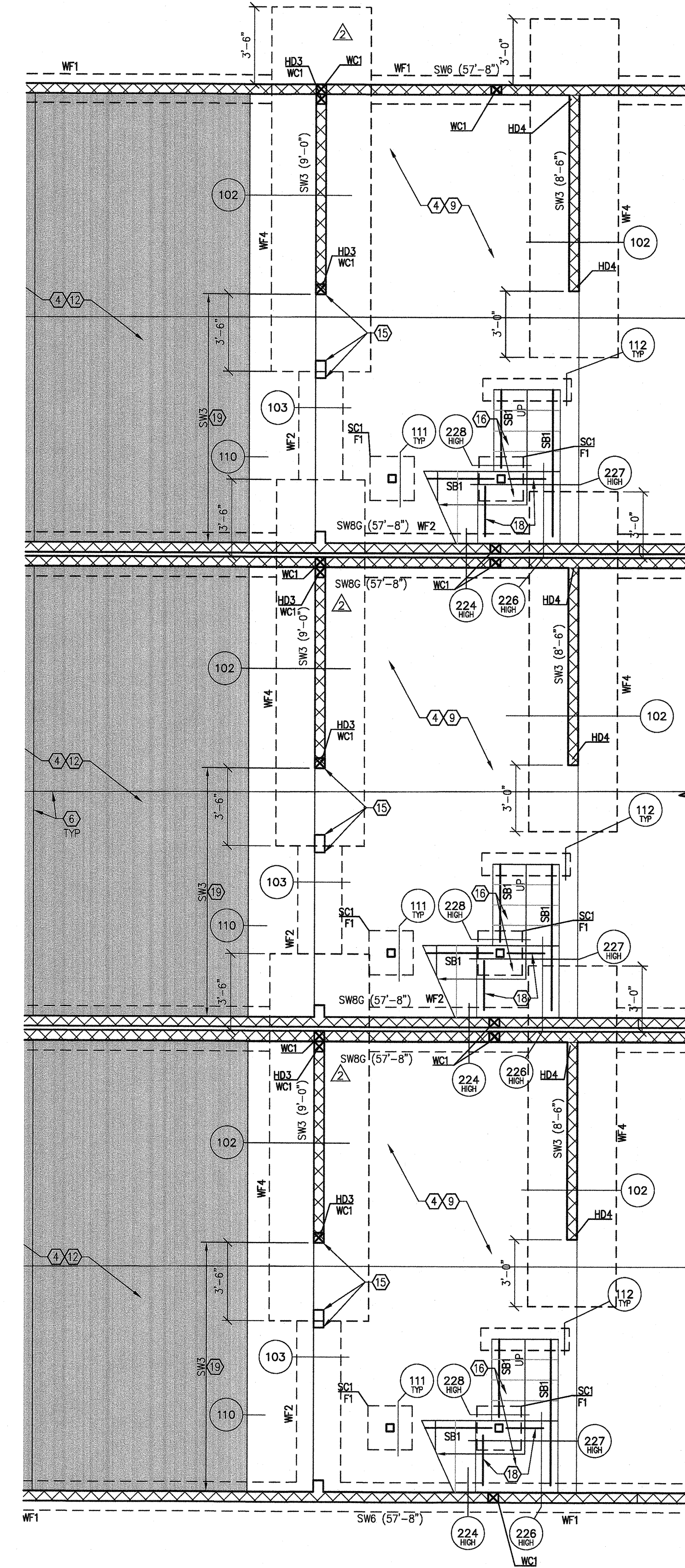
18123-S2-10.dwg 8/13/2019 10:22 AM



TYPICAL UNIT FOUNDATION PLAN
SCALE: 1/4" = 1'-0"

FOUNDATION PLAN NOTES

- SEE DETAIL 1 AND G.S.N. FOR EARTHWORK REQUIREMENTS.
- SEE ARCH'L AND CIVIL DRAWINGS FOR LOCATIONS AND LIMITS OF SITE WORK, SIDEWALKS, CURBS SITE WALLS, ETC.
- SEE ARCH'L DRAWINGS FOR LOCATION OF EXTERIOR SLAB JOINTS - TYP. PROVIDE JOINTS AT 12'-0" O.C. MAX EACH WAY IN UNREINFORCED SLABS PER DETAIL 101.
- 5" CONCRETE SLAB (F_c = 3,500 PSI) OVER 4" A.B.C. - TYP. U.N.O. SEE ARCH'L DRAWINGS FOR COLORED CONCRETE REQUIREMENTS.
- STEP FOOTINGS AS REQUIRED PER TYPICAL DETAIL 9 TO MAINTAIN BOTTOM/TOP OF FOOTING ELEVATION SHOWN - TYPICAL.
- SAWCUT JOINT - TYP. U.N.O. C.J INDICATES SLAB CONSTRUCTION JOINT. SEE DETAIL 101.
- PROVIDE 1/2" PREFORMED JOINT FILLER AT ALL LOCATIONS WHERE EXTERIOR SLABS ABUT THE BUILDING U.N.O. ON ARCH'L DRAWINGS.
- ALL HORIZONTAL REINFORCING IN FOOTINGS, STEM WALLS AND WALLS SHALL BE CONTINUOUS AROUND ALL CORNERS AND INTERSECTIONS PER TYP. DETAILS.
- VAPOR BARRIER PER G.S.N. IN AREAS INDICATED. SEE ARCH'L DRAWINGS FOR ADDITIONAL INFORMATION.
- EXTEND CONTINUOUS FOOTING REINFORCING INTO PAD REINFORCING AT INTERSECTIONS - TYP.
- 2 #4x4'-0" CENTERED IN SLAB AT 8" O.C. - TYP AT RE-ENTRANT CORNERS AND DISCONTINUOUS SLAB JOINTS.
- DEPRESSED/SLOPED SLAB IN AREA INDICATED - TYP AT GARAGE. SEE ARCH'L DRAWINGS FOR ADDITIONAL INFORMATION.
- 3-2x6 STUDS AT 12" O.C. IN AREA INDICATED - TYPICAL AT TWO STORY TALL STUDS.
- PROVIDE 2-2x WOOD STUDS AT ALL TRUSS GIRDER AND CANTILEVER BEAM BEARING LOCATIONS U.N.O. EXTEND FULL HEIGHT OF WALL TO UNDERSIDE OF GIRDER/BEAM.
- PROVIDE HORIZONTAL STRAPS ABOVE AND BELOW WINDOW/ABOVE DOOR OPENING PER DETAIL 27 - TYPICAL AT OPENING JAMBS INDICATED.
- 3 1/8x12 (FLAT) GLULAM STAIR TREADS AND LANDINGS. SEE ARCH'L DRAWINGS FOR ADDITIONAL INFORMATION.
- SEE ARCH'L DRAWINGS.
- L4x3x3/8 STEEL ANGLE - TYP AT LANDING EDGE.
- OVER OPENING.



TYPICAL ROOFTOP PATIO OPTION PARTIAL FOUNDATION PLAN
SCALE: 1/4" = 1'-0"

NOTE:
BOTTOM OF FOOTING ELEVATION SHALL BE 1'-6" MINIMUM BELOW LOWEST ADJACENT FINISHED GRADE OR FINISHED FLOOR ELEVATION, WHICHEVER IS LOWER - TYPICAL U.N.O. TOP OF INTERIOR STEEL COLUMNS SHALL BE 1'-0" MINIMUM BELOW FINISHED FLOOR ELEVATION U.N.O.

WOOD STUD WALLS:
EXTERIOR WALLS AND EXTERIOR POP-OUT WALLS - 2 X 6 AT 16" O.C. U.N.O.
INTERIOR SHEAR/BEARING WALLS - 2 X 6 AT 16" O.C.

RIGHT-END UNIT

TYPICAL INTERIOR UNITS

LEFT-END UNIT

CONSTRUCTION DOCUMENTS

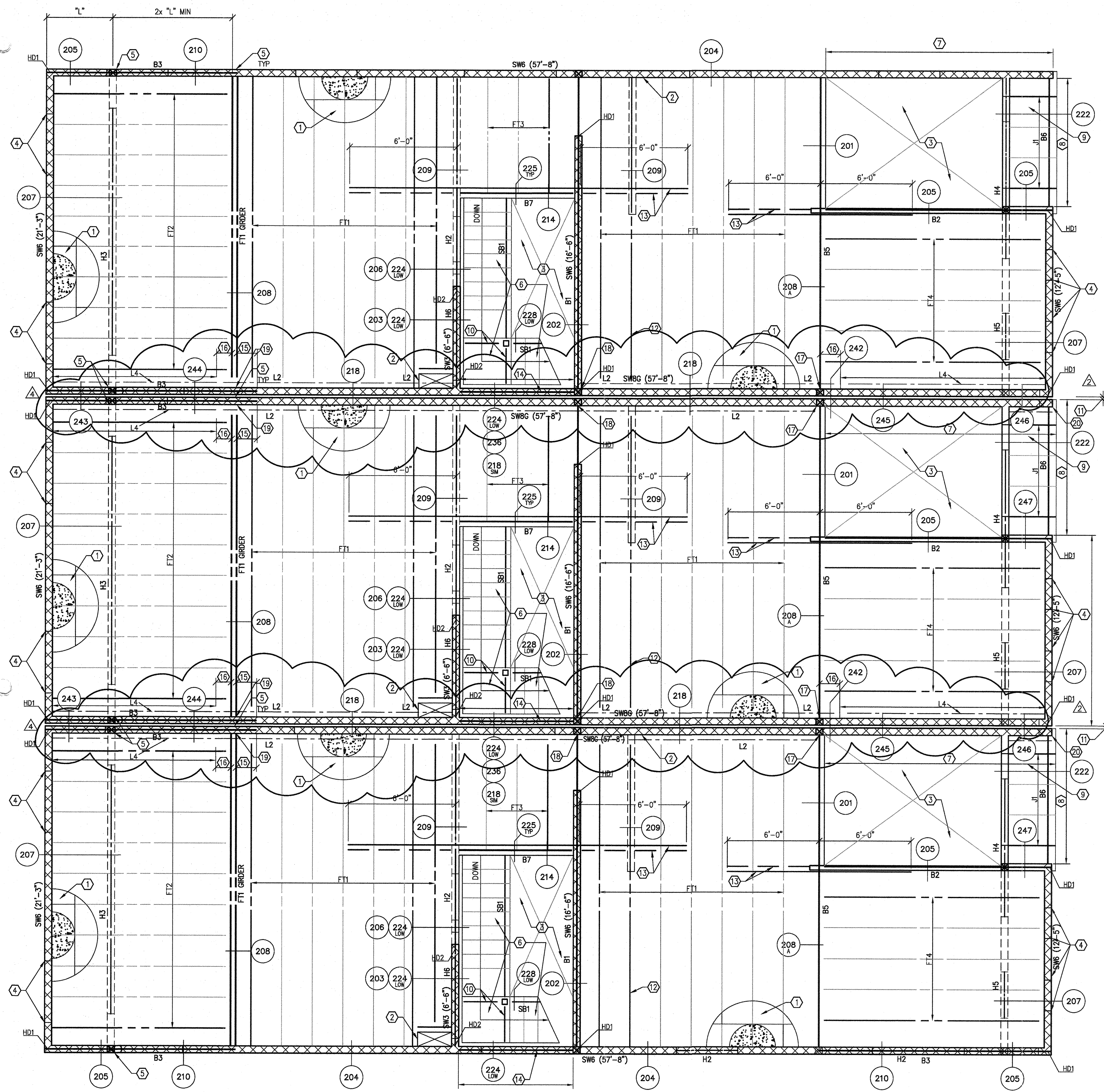
Revision Schedule		
No.	Date	Description
1	05.21.19	CITY COMMENTS

CITY OF PHOENIX
Planning and Development Department

By: *[Signature]*
2019

This set of plans has been reviewed for STRUCTURAL requirements, requirements prior to issuance of Building Permits shall be kept at the construction site. Each review shall not prevent the Building Official from requiring correction of errors in the plans where such errors are subsequently found to be in violation of City Code or Ordinance.

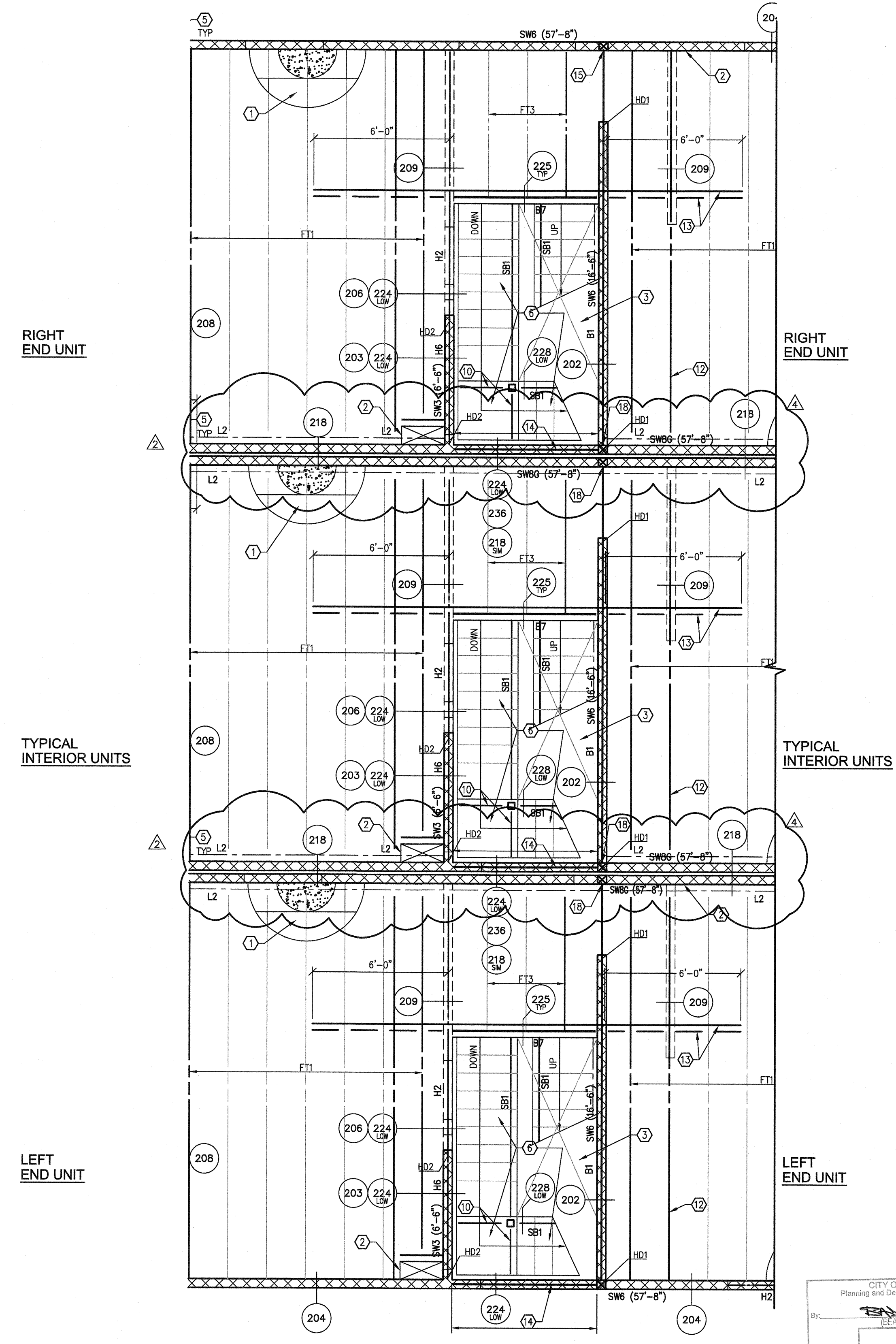
TYPICAL UNIT FOUNDATION PLANS



TYPICAL UNIT 2ND FLOOR FRAMING PLANS
SCALE: 1/4" = 1'-0"

2ND FLOOR FRAMING PLAN NOTES

- 1" GYPCRETE/LIGHT WEIGHT CONCRETE TOPPING (F_c 1,500 TO 2,000 PSI) OVER 3/4" TAG PLYWOOD SHEATHING - TYP. U.O. FOR LAYOUT AND ATTACHMENT, SEE G.S.N.
- MECHANICAL OPENING - TYP. FOR EXACT SIZE AND LOCATION OF OPENINGS, SEE ARCH'L. AND MECHANICAL DRAWINGS. FOR FRAMING AT OPENINGS, SEE DETAIL 48 AND 49.
- OPEN TO BELOW.
- PROVIDE HORIZONTAL STRAPS ABOVE AND BELOW WINDOW OPENING PER DETAIL 27 - TYPICAL AT WINDOW INDICATED.
- PROVIDE 2-2x WOOD STUDS AT ALL TRUSS GIRDER AND CANTILEVER BEAM BEARING LOCATIONS U.O. EXTEND FULL HEIGHT OF WALL TO UNDERSIDE OF GIRDER/BEAM.
- 3 1/8" x 12" (FLAT) GLULAM STAIR TREADS AND LANDINGS. SEE ARCH'L. DRAWINGS FOR ADDITIONAL INFORMATION.
- WOOD STUD WALL FROM BELOW.
- 2x6 WOOD STUDS AT 12" O.C. FROM TOP OF HEADER TO BOTTOM OF ROOF TRUSS IN AREA INDICATED.
- 1/2" PLYWOOD SHEATHING - TYP. AT ROOF. FOR LAYOUT AND ATTACHMENT, SEE G.S.N.
- L4x3x3/8 STEEL ANGLE - TYP. AT LANDING EDGE.
- SEE ARCH'L. DRAWINGS.
- DESIGN TRUSS FOR 5000# (ASD) AXIAL WIND/SEISMIC LOAD FROM TOP CHORD TO BOTTOM CHORD.
- SIMPSON CS16 STRAP WITH 10d AT 2" O.C. TO WOOD BEAM OR 2x BLOCKING. EXTEND AS SHOWN ON PLAN.
- PROVIDE WOOD BEAM PER DETAIL 236 TO ALIGN WITH ROOF TRUSSES IN AREA INDICATED. SEE DETAIL 237 FOR END CONNECTIONS.
- EXTEND BEAM TO NEXT STUD (16" MIN) BEYOND BEAM/GIRDER CENTERLINE.
- EXTEND L2 LEDGER TO NEXT STUD (12" MIN) BEYOND BEAM CENTERLINE.
- PROVIDE 6-2x6 WOOD STUDS AT GIRDER TRUSS FROM GROUND TO 2ND FLOOR 2-2x PLATE. CONNECT LEDGER TO EACH STUD WITH (6) SOWS SCREWS.
- PROVIDE 3-2x6 WOOD STUDS AT GIRDER TRUSS FROM GROUND TO 2ND FLOOR 2-2x PLATE. CONNECT LEDGER TO EACH STUD WITH (4) SOWS SCREWS.
- PROVIDE 5 VERTICAL ROWS AT 1 1/2" O.C. HORIZONTALLY WITH 6 SCREWS PER ROW FROM LEDGER TO BEAM.
- PROVIDE (3) 2x6 WOOD STUDS AT WALL END. CONNECT BEAM TO STUDS WITH SIMPSON HUC BEAM HANGER WITH SIMPSON SOWS SCREWS IN LIEU OF NAILS.



TYPICAL ROOFTOP PATIO OPTION PARTIAL 2ND FLOOR FRAMING PLAN
SCALE: 1/4" = 1'-0"

CONSTRUCTION DOCUMENTS

Revision Schedule		
No.	Date	Description
△	06.21.19	CITY COMMENTS
△	08.13.19	CITY COMMENTS - SECOND REVIEW

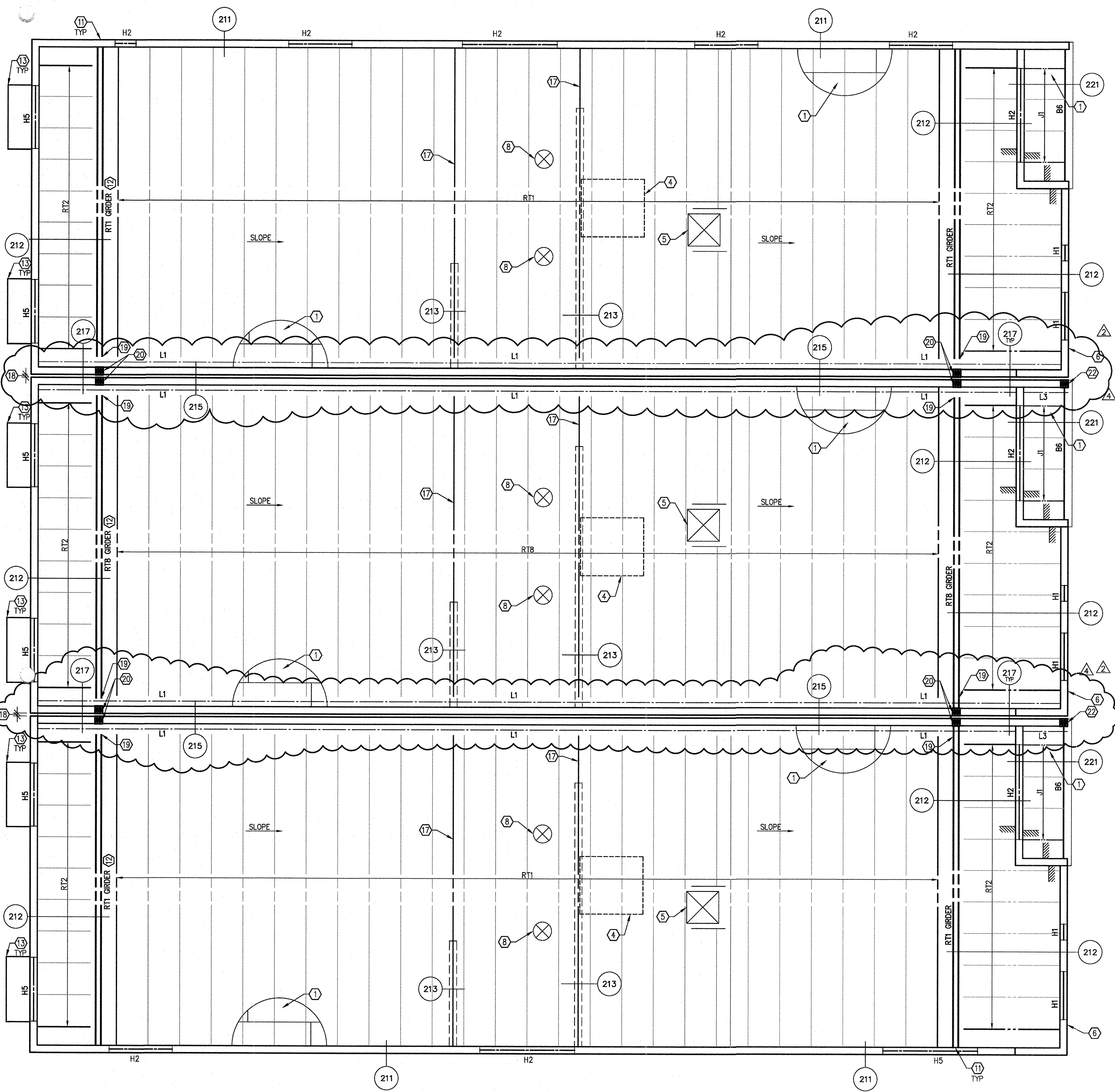
CITY OF PHOENIX
Planning and Development Department

By: [Signature]
2019

This set of plans has been reviewed for STRUCTURAL requirements prior to issuance of Building Permit and shall be used as the construction site. Such review shall not prevent the Building Official from requiring correction of errors in the plans where such errors are subsequently found to be a violation of any law or ordinance.

WOOD STUD WALLS:
EXTERIOR WALLS AND EXTERIOR POP-OUT WALLS - 2 X 6 AT 16" O.C. U.N.O.
INTERIOR SHEAR/BEARING WALLS - 2 X 6 AT 16" O.C.

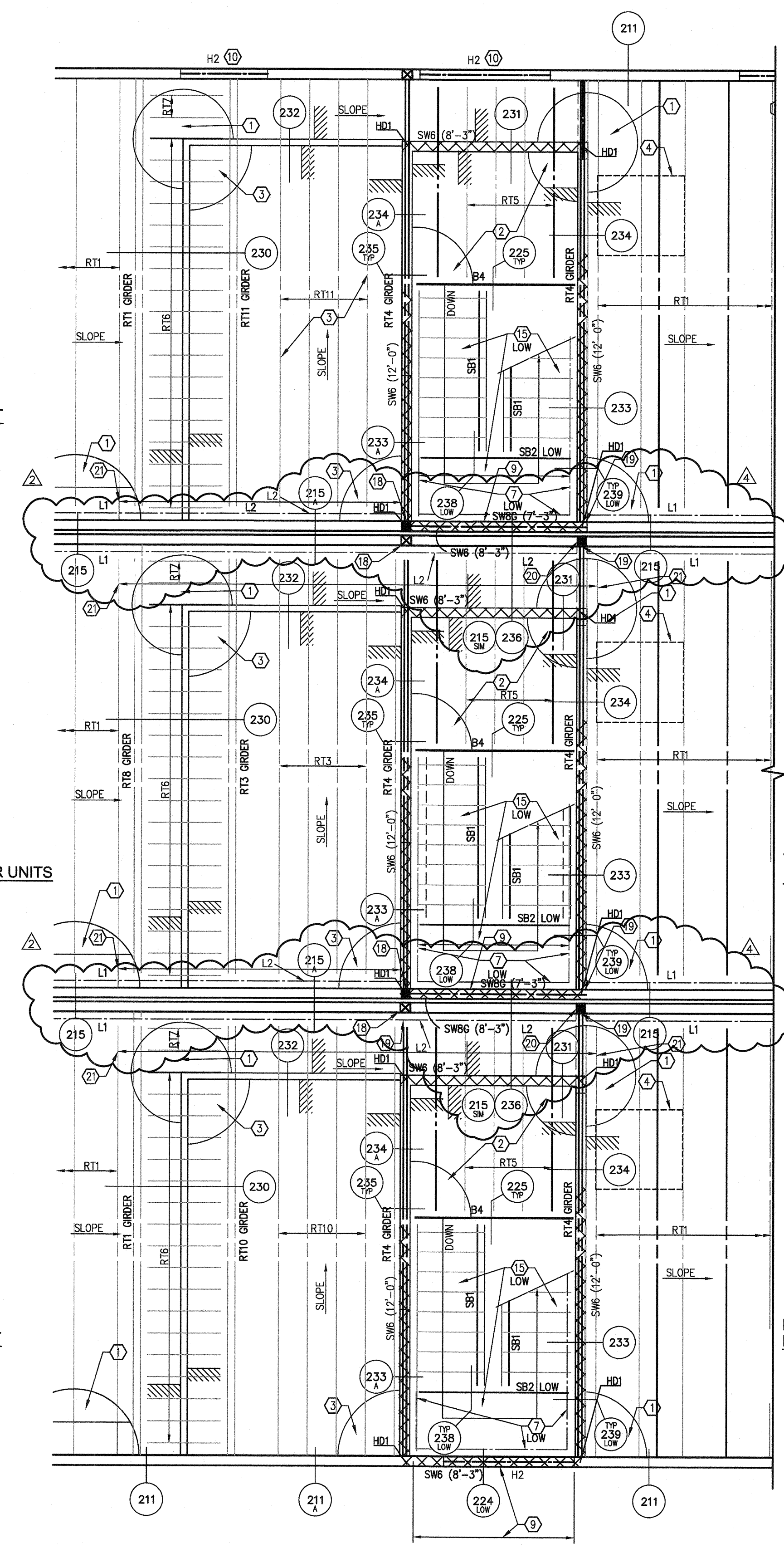
TYPICAL UNIT 2nd FLOOR FRAMING PLANS



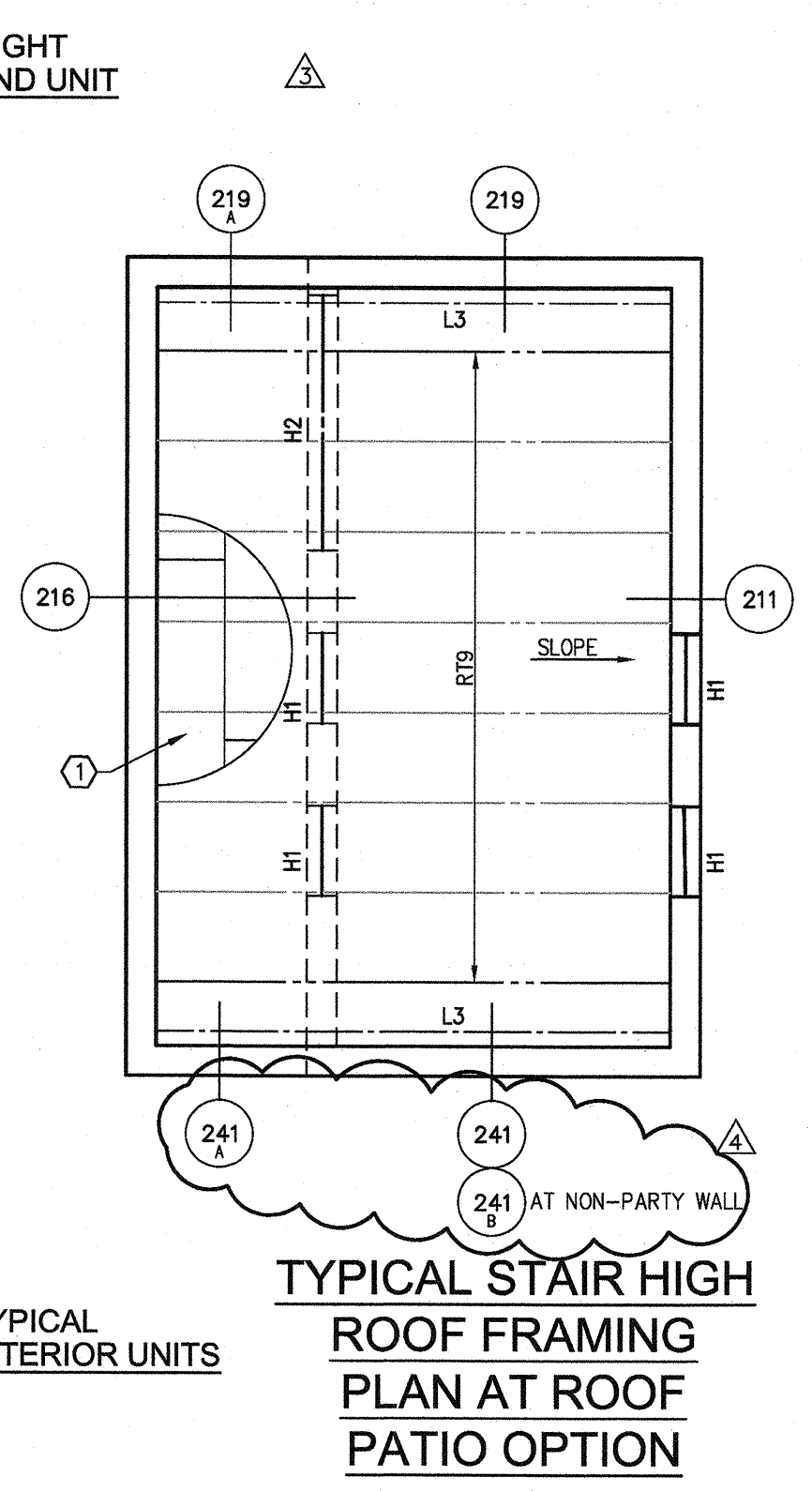
TYPICAL UNIT ROOF FRAMING PLANS
SCALE: 1/4" = 1'-0"

ROOF FRAMING PLAN NOTES

- 1/2" PLYWOOD SHEATHING - TYP AT ROOF. FOR LAYOUT AND ATTACHMENT, SEE G.S.N.
- 1" GYPCRETE/LIGHT WEIGHT CONCRETE TOPPING (F_c 1,500 TO 2,000 PSI) OVER 3/4" TAG PLYWOOD SHEATHING - TYP U.N.O. FOR LAYOUT AND ATTACHMENT, SEE G.S.N.
- ARCH'L FLOOR FINISH OVER WATERPROOF MEMBRANE OVER 1" GYPCRETE/LIGHT WEIGHT CONCRETE TOPPING (F_c 1,500 TO 2,000 PSI) OVER 3/4" TAG PLYWOOD SHEATHING - TYP AT ROOFTOP PATIO. FOR LAYOUT AND ATTACHMENT, SEE G.S.N.
- 400# MECHANICAL UNIT - TYP U.N.O. SEE ARCH'L AND MECHANICAL DRAWINGS FOR EXACT WEIGHTS AND LOCATIONS OF MECHANICAL UNITS, ETC. WEIGHTS AND LOCATIONS OF MECHANICAL UNIT LOADS SHOWN INCLUDE A 20% INCREASE AS REQUIRED BY IBC. FOR FRAMING AT UNITS, SEE DETAIL 49. TRUSS MANUFACTURER TO COORDINATE SPACE FOR UNITS WITHIN TRUSS BAYS - TYP.
- ROOF HATCH OPENING - SEE ARCH'L DRAWINGS FOR EXACT SIZE AND LOCATION. FOR FRAMING AT OPENINGS, SEE DETAILS 47 AND 48.
- ROOF SCUPPER OPENING. SEE ARCH'L DRAWINGS FOR EXACT SIZE AND LOCATION OF OPENING. FOR FRAMING AT OPENINGS, SEE DETAILS 47 AND 48.
- 1/2x3x3/8 STEEL ANGLE - TYP AT LANDING EDGE.
- SKYLIGHT OPENING - SEE ARCH'L DRAWINGS FOR EXACT SIZE AND LOCATION. FOR FRAMING AT OPENINGS, SEE DETAILS 47 AND 48.
- PROVIDE WOOD BEAM PER DETAIL 236 TO ALIGN WITH ROOF TRUSSES IN AREA INDICATED. SEE DETAIL 237 FOR END CONNECTIONS.
- PROVIDE HORIZONTAL STRAPS ABOVE AND BELOW WINDOW OPENING PER DETAIL 27 - TYPICAL AT WINDOW INDICATED.
- PROVIDE 2-2x WOOD STUDS AT ALL TRUSS GIRDER AND CANTILEVER BEAM BEARING LOCATIONS U.N.O. EXTEND FULL HEIGHT OF WALL TO UNDERSIDE OF GIRDER/BEAM.
- ALIGN GIRDER TRUSS OF FIRST FLOOR WALL.
- STEEL EYEBROW PER DETAIL 223. SEE ARCH'L DRAWINGS FOR ADDITIONAL INFORMATION.
- MECHANICAL OPENING - TYP. FOR EXACT SIZE AND LOCATION OF OPENINGS, SEE ARCH'L AND MECHANICAL DRAWINGS. FOR FRAMING AT OPENINGS, SEE DETAILS 48 AND 49.
- 3 1/8x12 (FLAT) GLULAM STAIR TREADS AND LANDINGS. SEE ARCH'L DRAWINGS FOR ADDITIONAL INFORMATION.
- OPEN TO BELOW.
- DESIGN TRUSS FOR 3500# (ASD) AXIAL WIND/SEISMIC LOAD FROM TOP CHORD TO BOTTOM CHORD.
- PROVIDE 5-2x6 WOOD STUDS AT GIRDER TRUSS FROM 2ND FLOOR TO TOP OF PARAPET, CONNECT LEDGER TO EACH STUD WITH (6) SOWS SCREWS.
- SIMPSON LGT GIRDER TIEDOWN AT GIRDER TO LEDGER - TYP.
- PROVIDE 3-2x6 WOOD STUDS AT GIRDER TRUSS FROM 2ND FLOOR TO TOP OF PARAPET, CONNECT LEDGER TO EACH STUD WITH (4) SOWS SCREWS.
- EXTEND L2 LEDGER TO ADJACENT STUD CENTERLINE BEYOND GIRDER TRUSS.
- PROVIDE (3) 2x6 WOOD STUDS AT WALL END, CONNECT BEAM TO STUDS WITH SIMPSON HUC BEAM HANGER WITH SIMPSON SOWS SCREWS IN LIEU OF NAILS.



TYPICAL ROOFTOP PATIO OPTION PARTIAL ROOF FRAMING PLAN
SCALE: 1/4" = 1'-0"



TYPICAL STAIR HIGH ROOF FRAMING PLAN AT ROOF PATIO OPTION

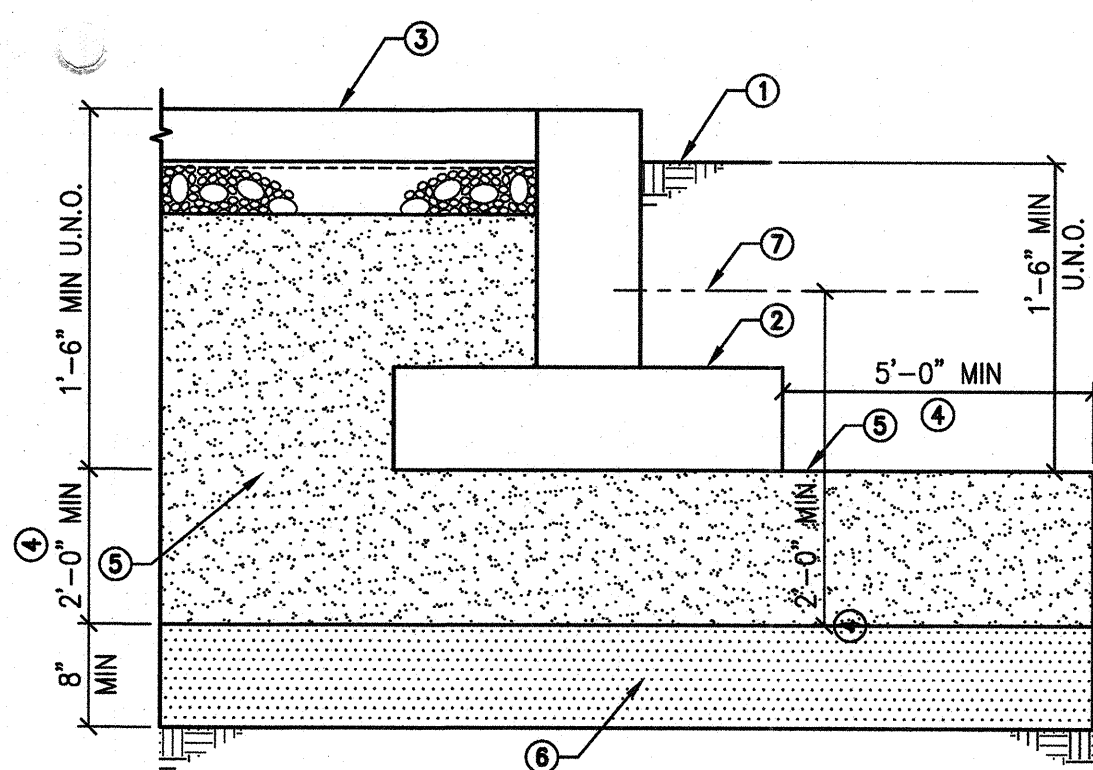
CONSTRUCTION DOCUMENTS

Revision Schedule		
No.	Date	Description
06.21.19		CITY COMMENTS
05.21.19		OWNER COMMENTS
08.13.19		CITY COMMENTS - SECOND REVIEW

CITY OF PHOENIX
Planning and Development Department
By: [Signature]
2019
This set of plans has been reviewed for STRUCTURAL and MECHANICAL requirements prior to issuance of Building Permit and shall be used as the construction site. Such review shall not prevent the Building Official from requiring correction of errors in this plan where such errors are subsequently found to be in violation of any law or ordinance.

WOOD STUD WALLS.
EXTERIOR WALLS AND EXTERIOR POP-OUT WALLS - 2 X 6 AT 16" O.C. U.N.O.
INTERIOR SHEAR/BEARING WALLS - 2 X 6 AT 16" O.C.

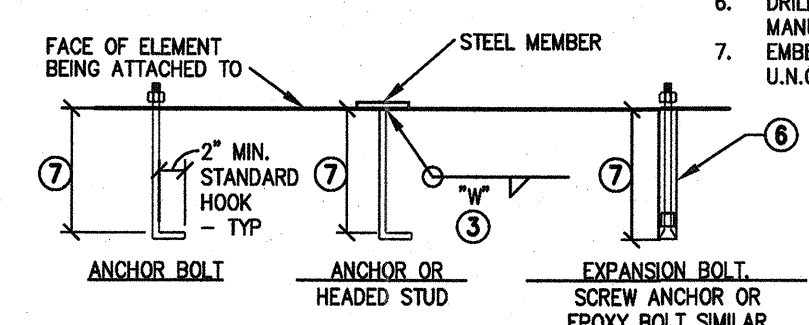
TYPICAL UNIT ROOF FRAMING PLANS



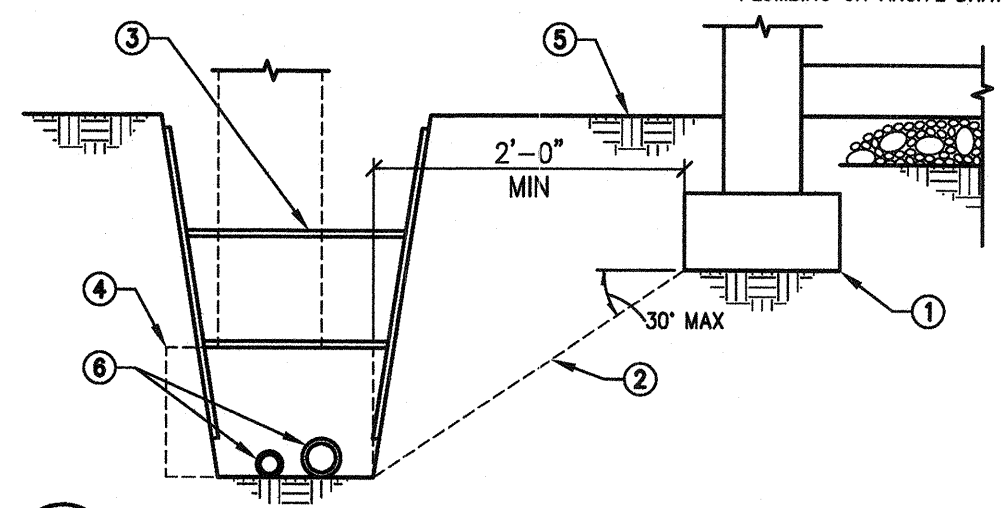
- KEY NOTES:**
1. FINISHED GRADE WITHIN 5'-0" OF FOOTING EDGE.
 2. CONCRETE FOOTING.
 3. CONCRETE SLAB OVER VAPOR BARRIER WHERE INDICATED OVER A.B.C.
 4. VERIFY EXACT CONTROLLED COMPACTED FILL SIZE WITH GEOTECHNICAL ENGINEER.
 5. COMPACTED BACKFILL PER SOILS REPORT.
 6. SCAFFRY, MOISTURE CONDITION AND COMPACT SOIL PER SOILS REPORT.
 7. EXISTING GRADE.

BOLT DIAMETER	VERT BOLT EMBEDMENT LENGTH	HORIZ BOLT EMBEDMENT LENGTH	HEADED STUD FILLET WELD SIZE "W"
1/2"	7"	4"	1/4"
5/8"	7"	4"	5/16"
3/4"	7"	5"	5/16"
7/8"	8"	6"	5/16"
1"	9"	7"	3/8"

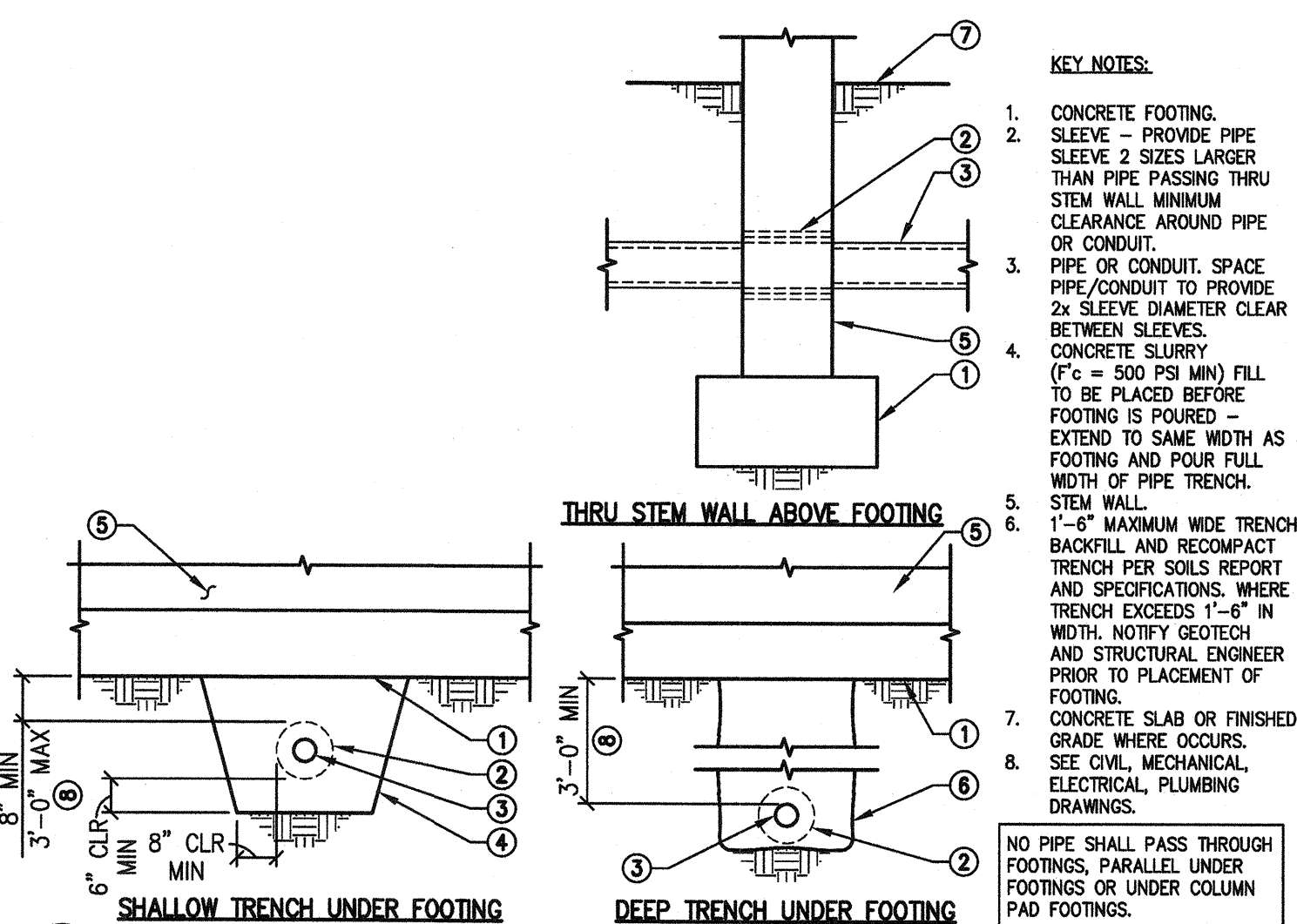
- KEY NOTES:**
1. PROVIDE ANCHORS, ANCHOR BOLTS AND EXPANSION BOLTS PER THIS SCHEDULE UNLESS NOTED ON PLANS OR DETAILS.
 2. SREW ANCHORS, EXPANSION BOLTS AND EPOXY BOLTS SHALL BE USED ONLY WHERE SPECIFICALLY SHOWN ON THE DRAWINGS OR WHEN APPLICATION IS APPROVED IN WRITING BY THE STRUCTURAL ENGINEER.
 3. AT "ANCHORS" USE 3/16" FILLET WELD (FW).
 4. THICKNESS OF DRYPACK DOES NOT APPLY TOWARDS EMBEDMENT.
 5. PROVIDE A 3" DIA MINIMUM OPENING IN THE FACE SHELL AT ALL ANCHORS EMBEDDED IN SIDE OF MASONRY OR ICF WALLS. (NOT APPLICABLE TO SREW ANCHORS OR EPOXY BOLTS).
 6. DRILLED HOLE PER ANCHOR MANUFACTURER.
 7. EMBEDMENT LENGTH PER CHART U.N.O.



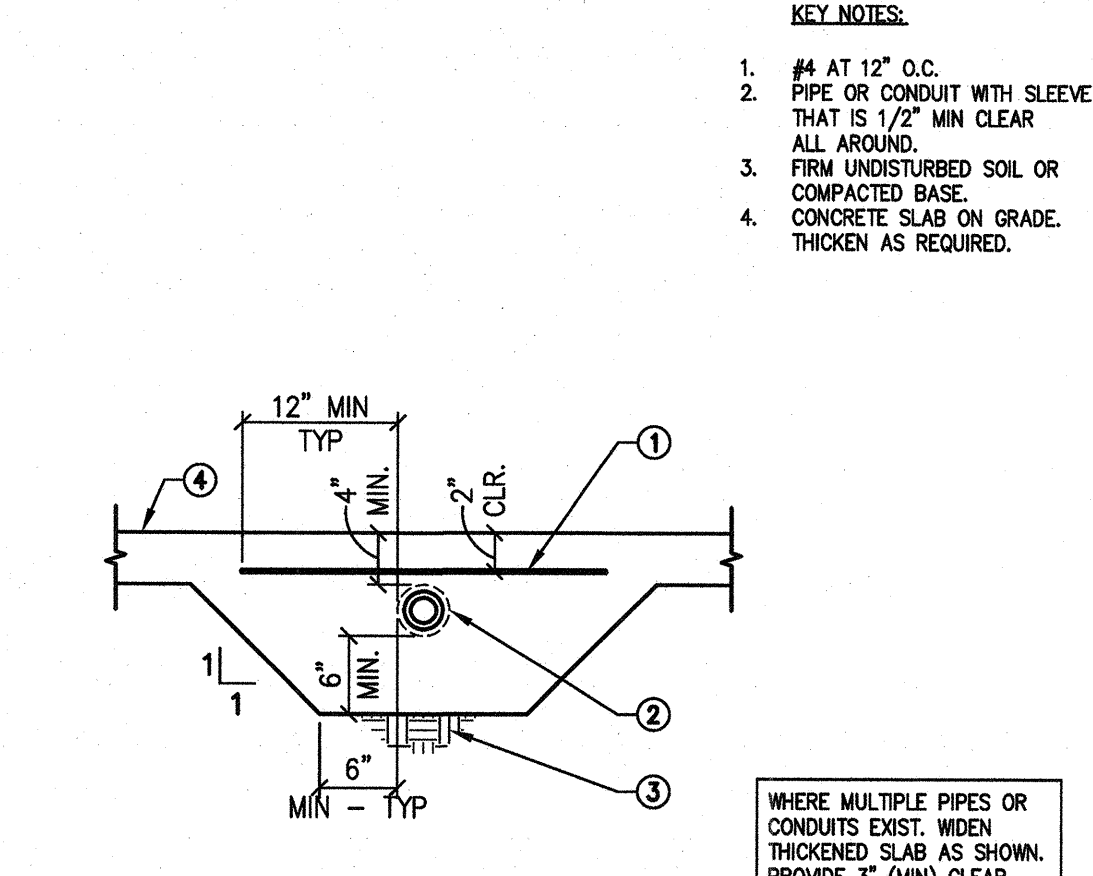
02 TYPICAL ANCHOR, ANCHOR BOLT, AND EXPANSION BOLT SCHEDULE 102-03M NOT TO SCALE



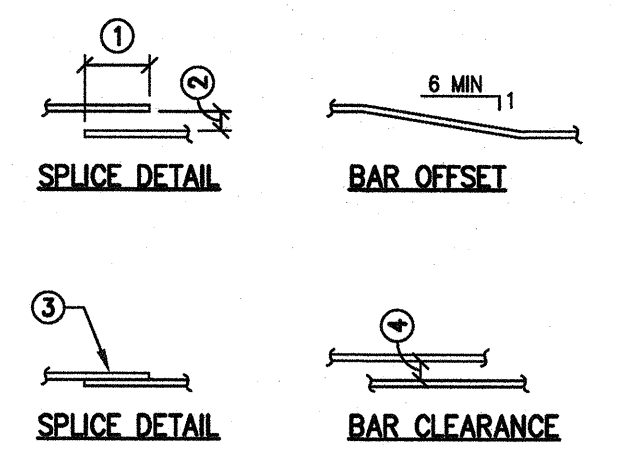
03 MAXIMUM SLOPE BETWEEN PARALLEL FOOTING OR TRENCH 16-123 NOT TO SCALE



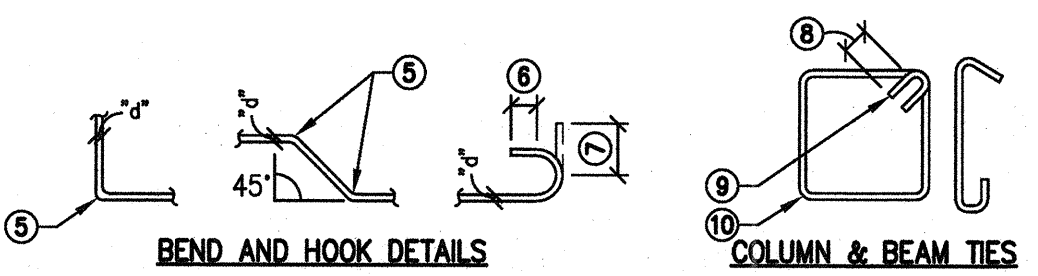
04 PIPE PASSING BY WALL FOUNDATION 110-04M NOT TO SCALE



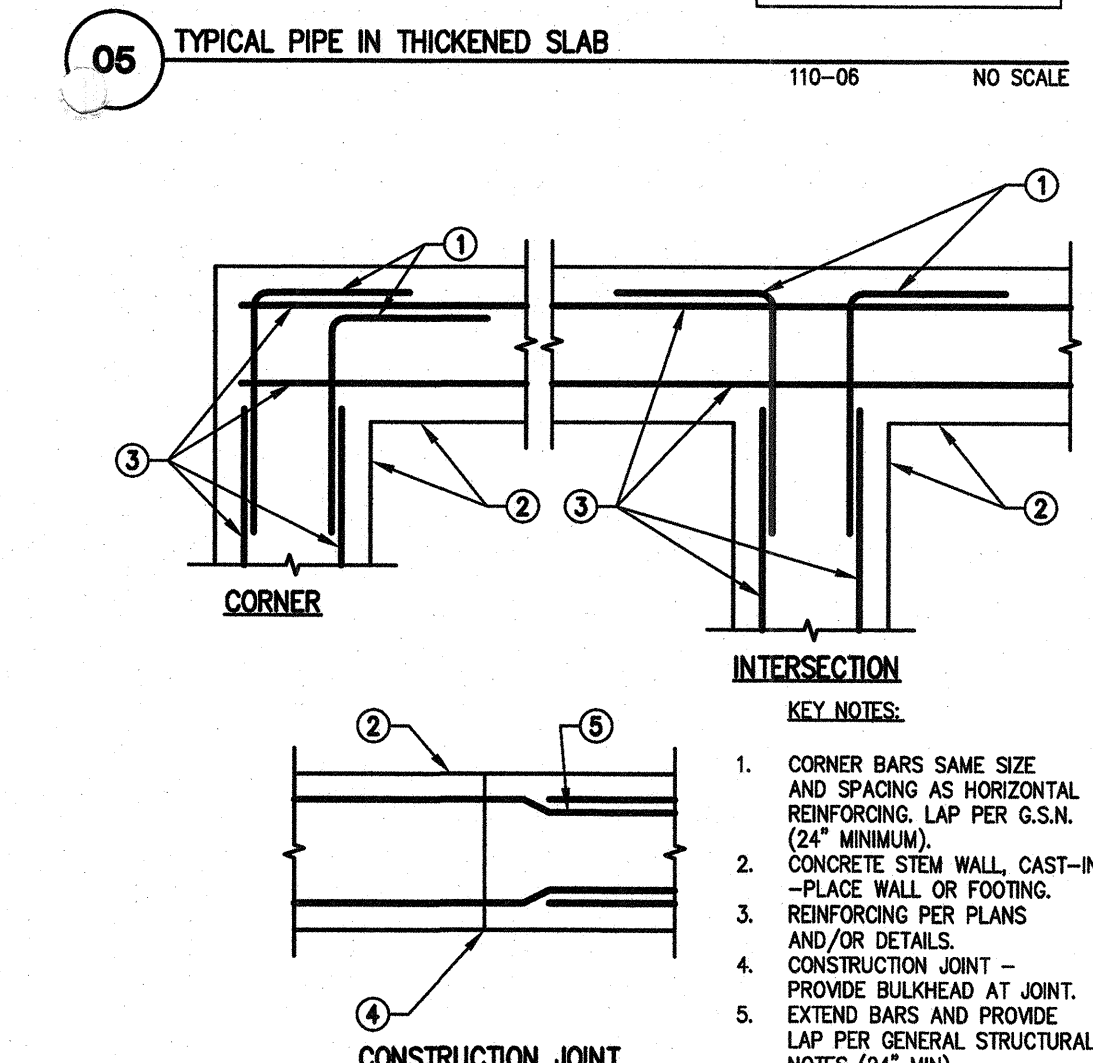
- KEY NOTES:**
1. #4 AT 12" O.C.
 2. PIPE OR CONDUIT WITH SLEEVE THAT IS 1/2" MIN CLEAR ALL AROUND.
 3. FIRM UNDISTURBED SOIL OR COMPACTED BASE.
 4. CONCRETE SLAB ON GRADE THICKEN AS REQUIRED.



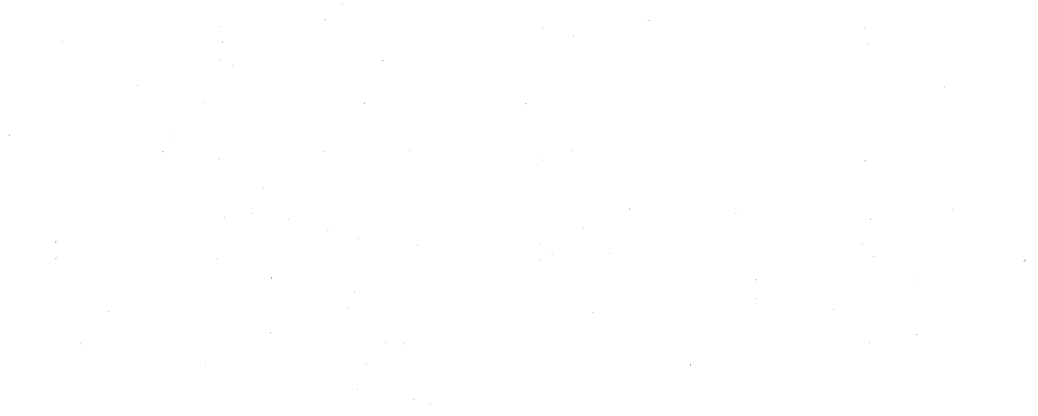
- KEY NOTES:**
1. LAP - SEE G.S.N.
 2. MAXIMUM 1/5 LAP BUT NOT MORE THAN 6"
 3. WIRE TIES.
 4. 1d (1" MINIMUM).
 5. RADIUS: 3d FOR #1 - #8 BARS, 4d FOR #9 - #11 BARS, 5d FOR #14 & #18 BARS, 5d FOR ALL GRADE 40 BARS.
 6. 4d (4" MIN.) 180 DEGREE HOOK.
 7. 12d (90 DEGREE HOOK).
 8. 6d (4" MINIMUM).
 9. 135 DEGREE BEND.
 10. BEND AROUND 1 1/2" PIN FOR #3 BARS, BEND AROUND 2" PIN FOR #4 BARS, BEND AROUND 2 1/2" PIN FOR #5 BARS.



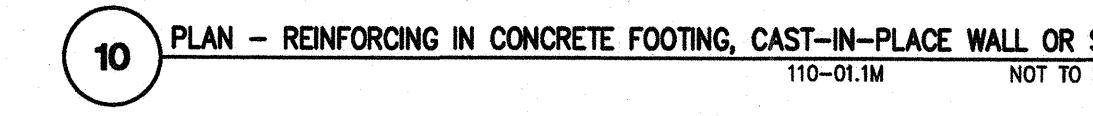
06 TYPICAL CONCRETE REINFORCING BAR DETAILS 102-02 NOT TO SCALE



- KEY NOTES:**
1. LAP PER G.S.N. (24" MIN.) - TYPICAL.
 2. PIPE THRU STEM WALL AS OCCURS - SEE DETAIL 4 RETURN TO FOOTING THICKNESS AS SHOWN ON PLANS.
 3. CONTINUOUS FOOTING REINFORCING PER PLAN.
 4. FOOTING THICKNESS "T" MINIMUM.

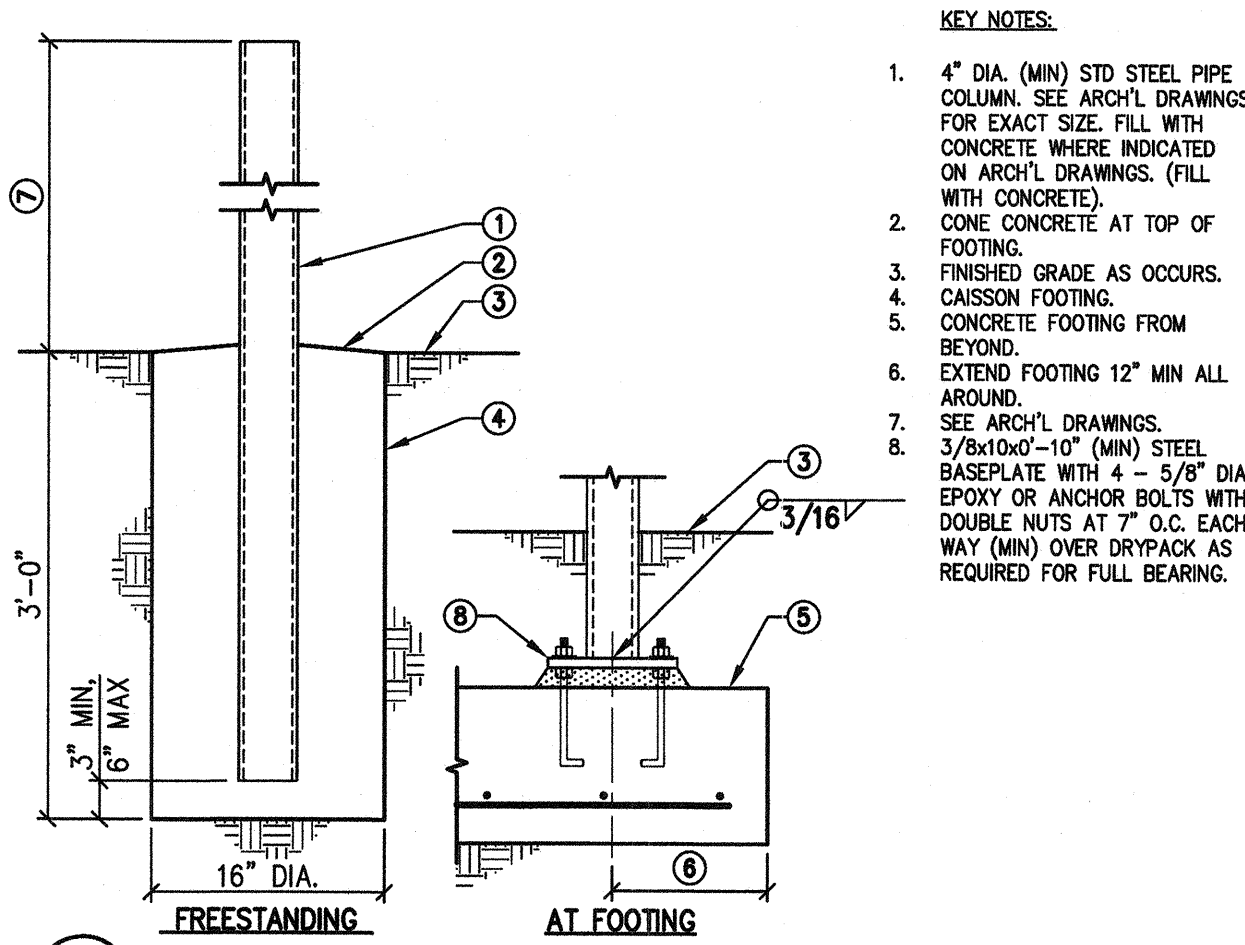


08 TYPICAL STEP IN CONCRETE FOOTING 110-02M NOT TO SCALE

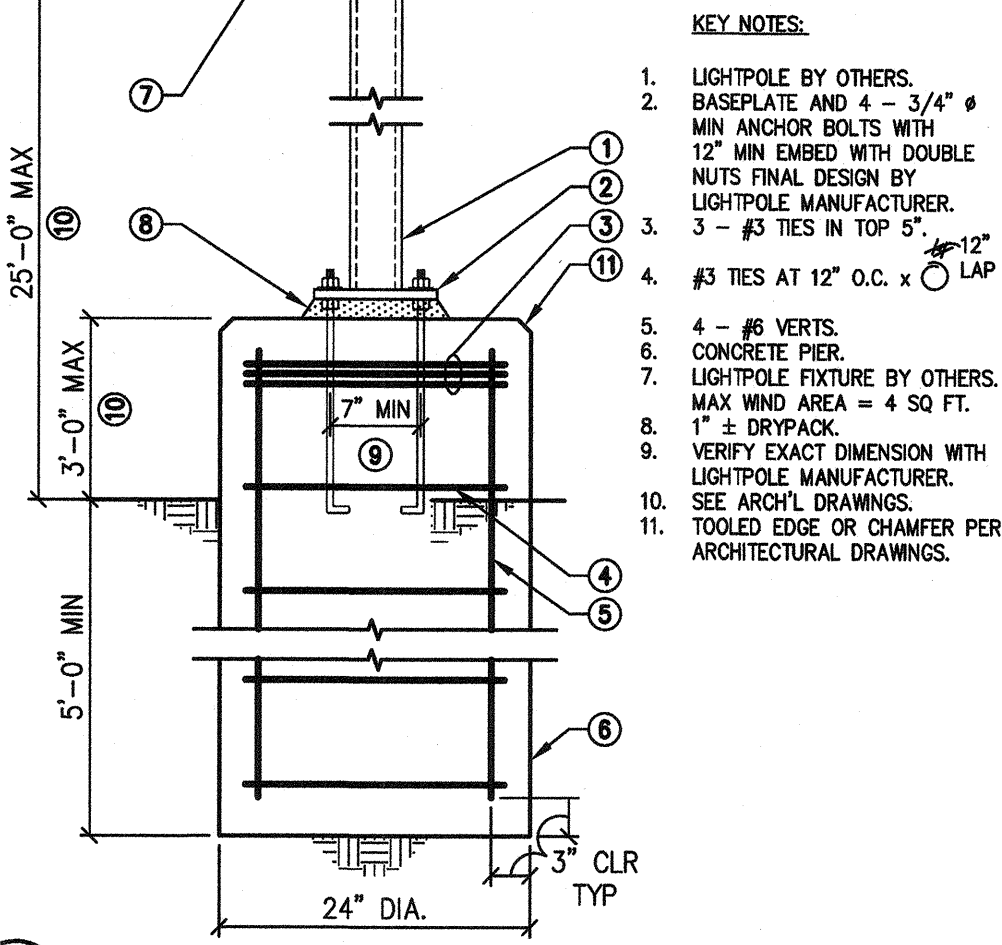


- KEY NOTES:**
1. CORNER BARS SAME SIZE AND SPACING AS HORIZONTAL REINFORCING. LAP PER G.S.N. (24" MINIMUM).
 2. CONCRETE STEM WALL, CAST-IN-PLACE WALL OR FOOTING.
 3. REINFORCING PER PLANS AND/OR DETAILS.
 4. CONSTRUCTION JOINT - PROVIDE BULKHEAD AT JOINT.
 5. EXTEND BARS AND PROVIDE LAP PER GENERAL STRUCTURAL NOTES (24" MIN).

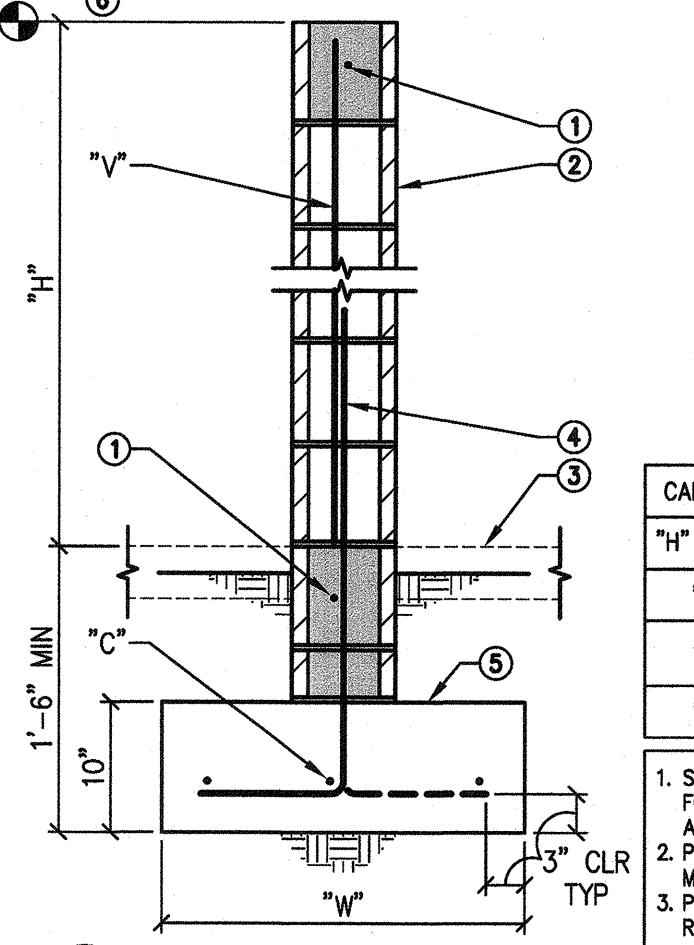
10 PLAN - REINFORCING IN CONCRETE FOOTING, CAST-IN-PLACE WALL OR STEM 110-01.1M NOT TO SCALE



11 BOLLARD FOOTING 167-01M NOT TO SCALE



12 LIGHTPOLE DRILLED PIER 185-01M NOT TO SCALE



13 MASONRY SITE WALL AND FOOTING 117-03M NOT TO SCALE

- KEY NOTES:**
1. 1 #4 CONTINUOUS IN 8" DEEP GROUDED BOND BEAM.
 2. 6" MASONRY WALL GROUT SOLID BELOW GRADE.
 3. FINISHED GRADE OR CONCRETE SLAB WHERE OCCURS. FINISHED GRADE MAY BE 6" MAXIMUM DIFFERENT FROM ONE SIDE OF WALL TO OTHER.
 4. DOWELS TO MATCH AND LAP VERTICAL WALL REINFORCING ALTERNATE BENDS.
 5. CONCRETE FOOTING.
 6. SEE ARCHITECTURAL DRAWINGS.
 7. CONTINUOUS BARS "C".

CALLOUT	CASE 1	CASE 2	CASE 3
"h" (MAX)	3'-4"	6'-0"	8'-0"
"w"	1'-4"	2'-0"	2'-4"
"v"	#4 AT 48" O.C.	#4 AT 48" O.C.	#5 AT 32" O.C.
"c"	2 #4 CONT.	2 #4 CONT.	3 #4 CONT.

- KEY NOTES:**
1. SPECIAL STRUCTURAL INSPECTION IS REQUIRED FOR FOOTINGS AND WALLS WHERE WALL IS 6'-0" AND GREATER.
 2. PROVIDE MASONRY CONTROL JOINTS AT 16'-0" MAXIMUM EXTENDING FROM TOP OF FOOTING.
 3. PROVIDE NO. 9 LADDER TYPE HORIZONTAL JOINT REINFORCING AT 16" O.C. MAXIMUM.

CONSTRUCTION DOCUMENTS

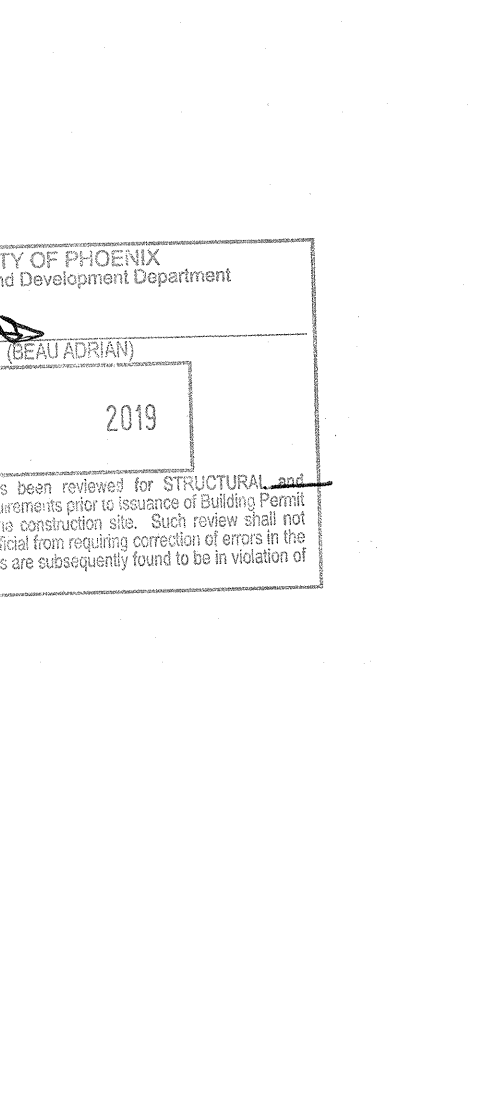
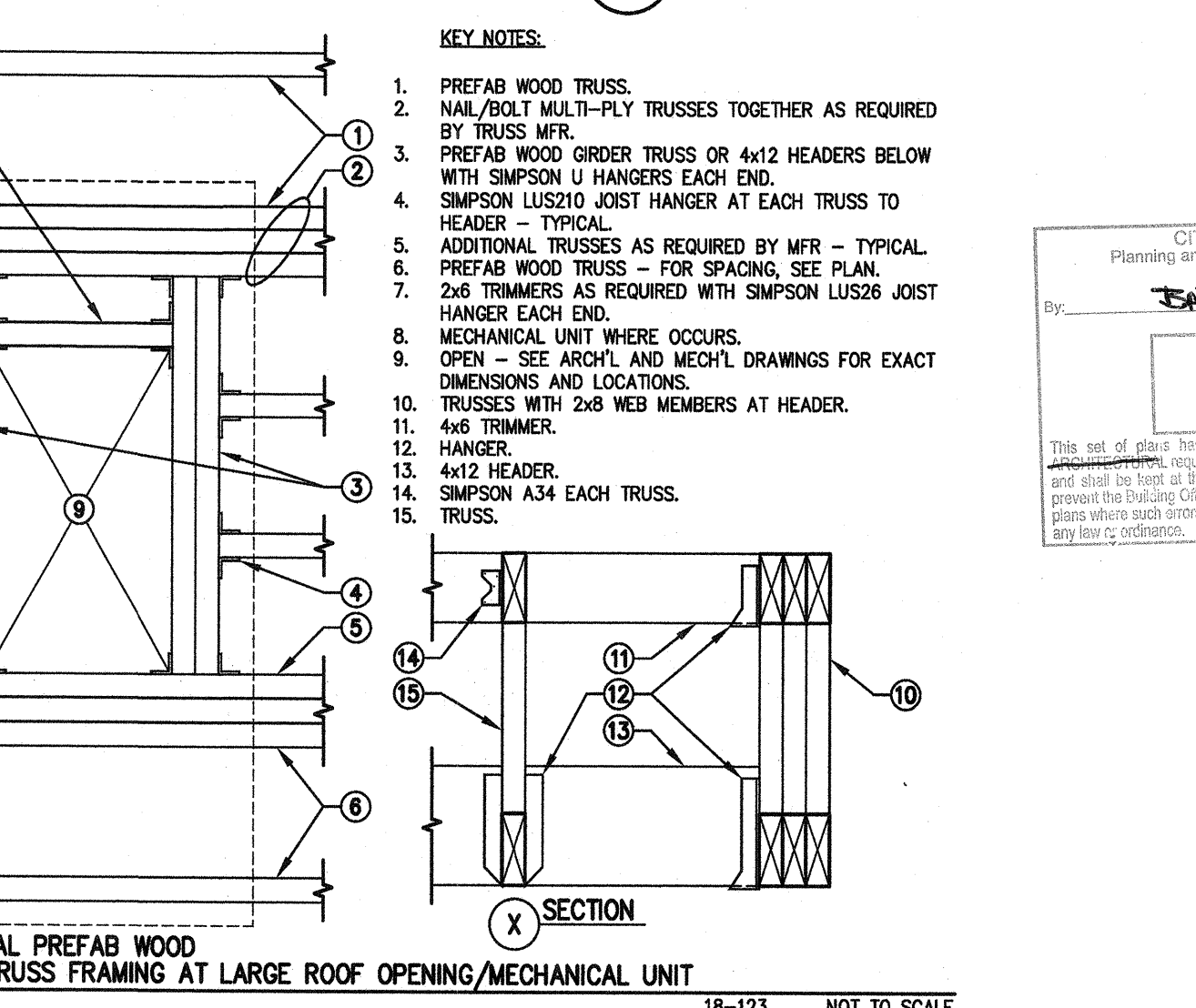
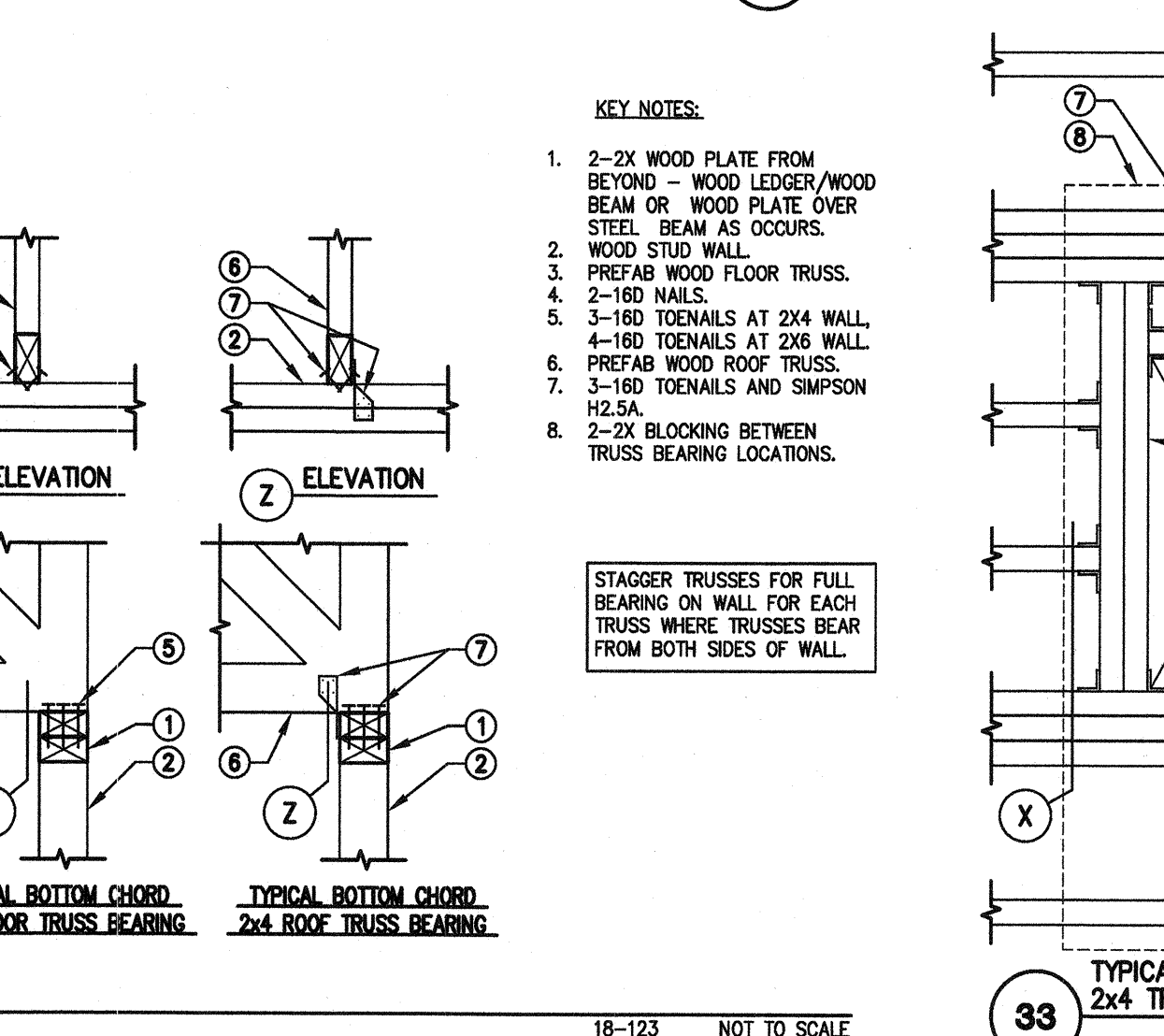
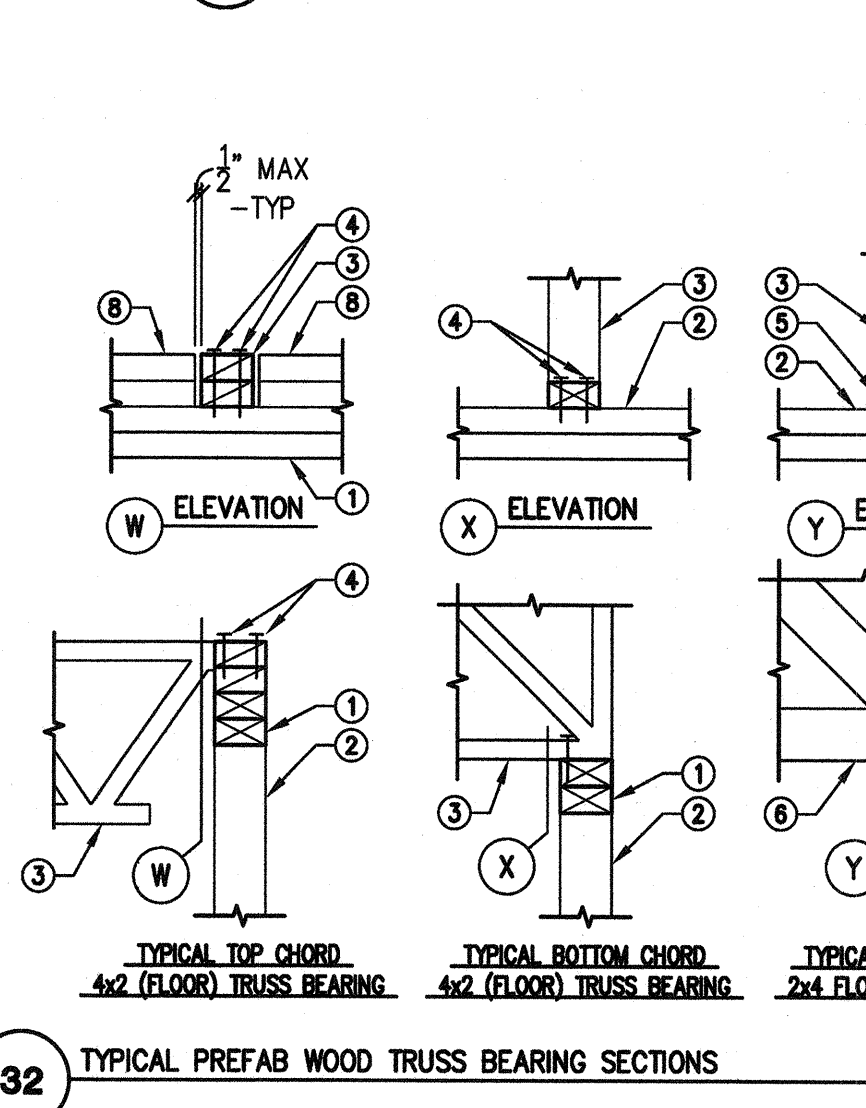
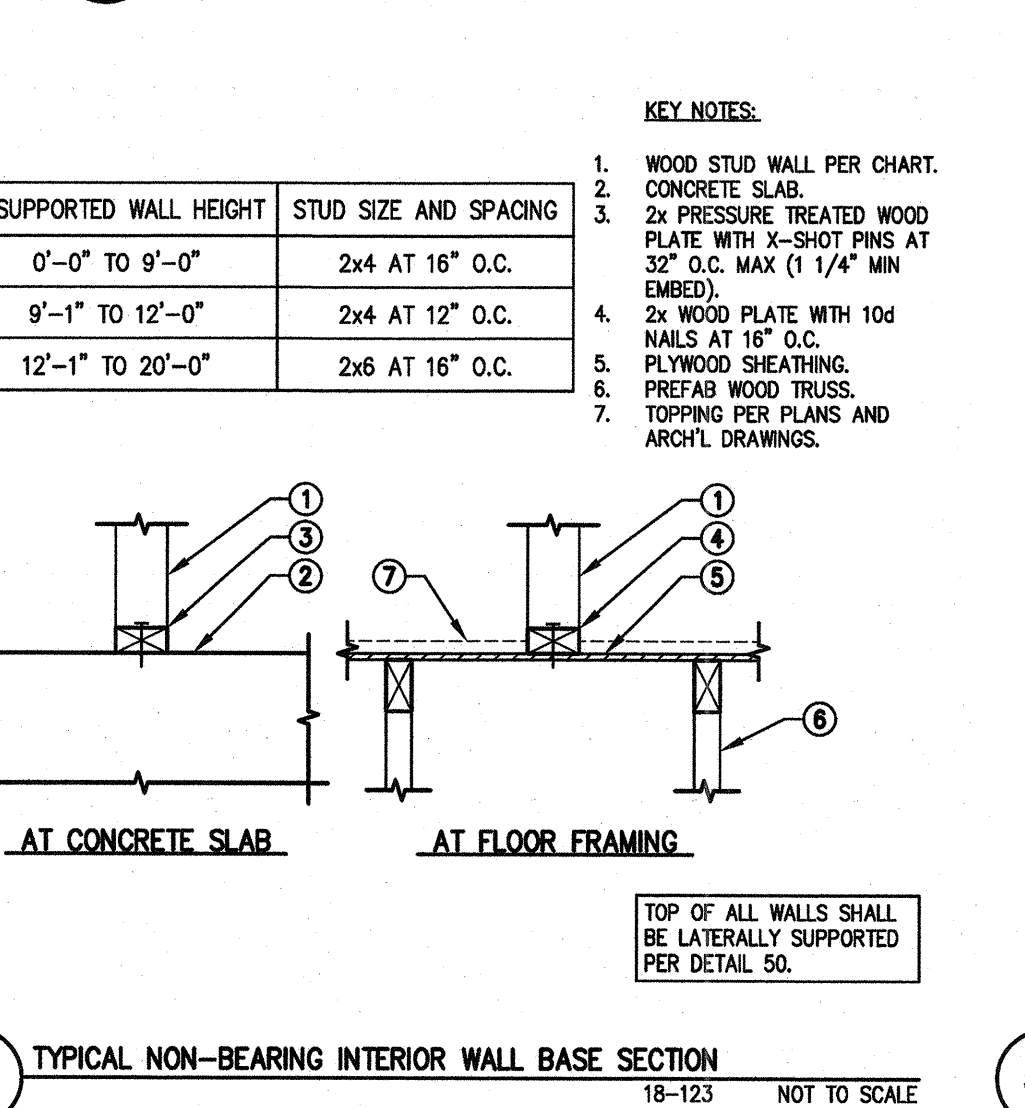
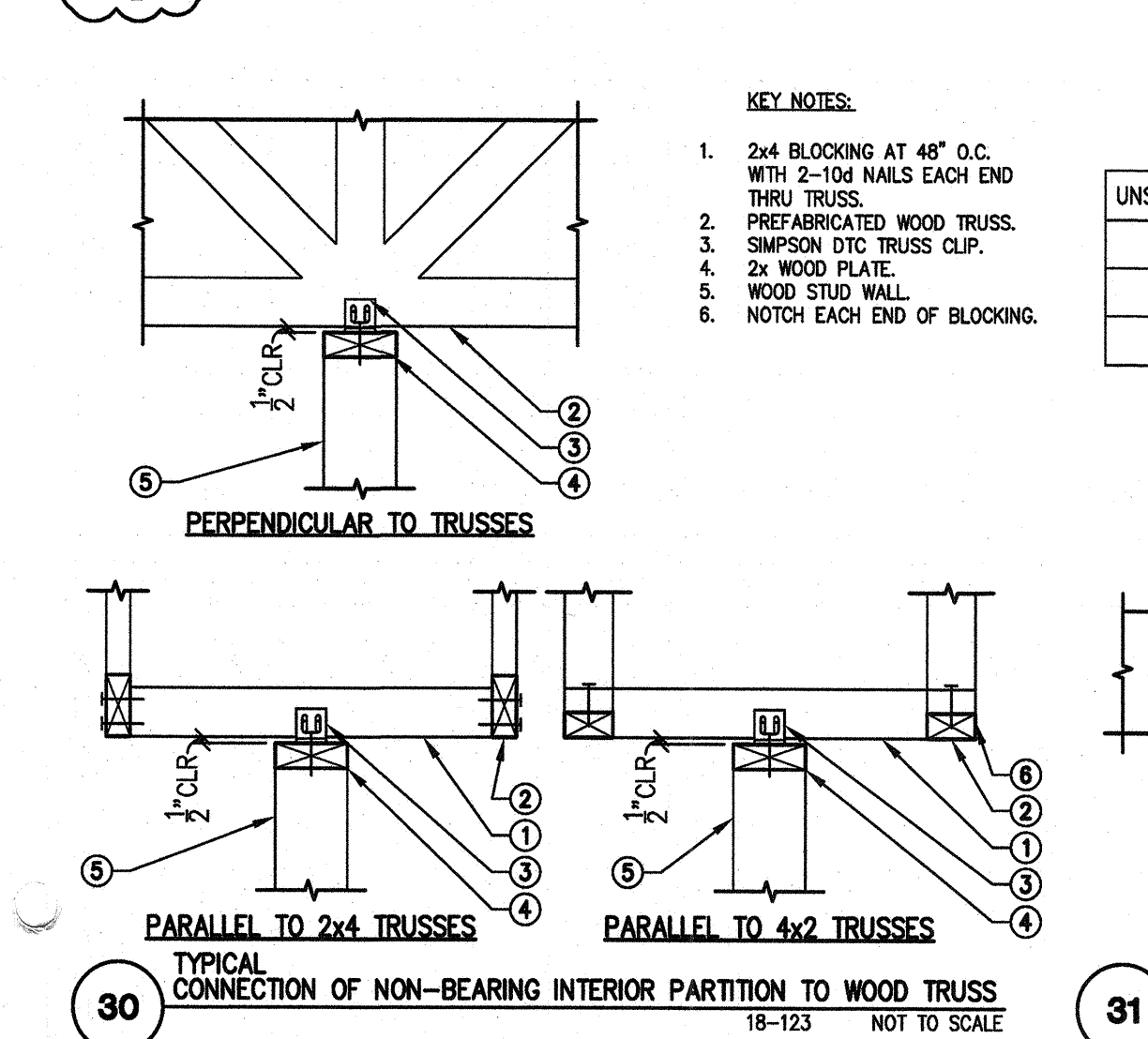
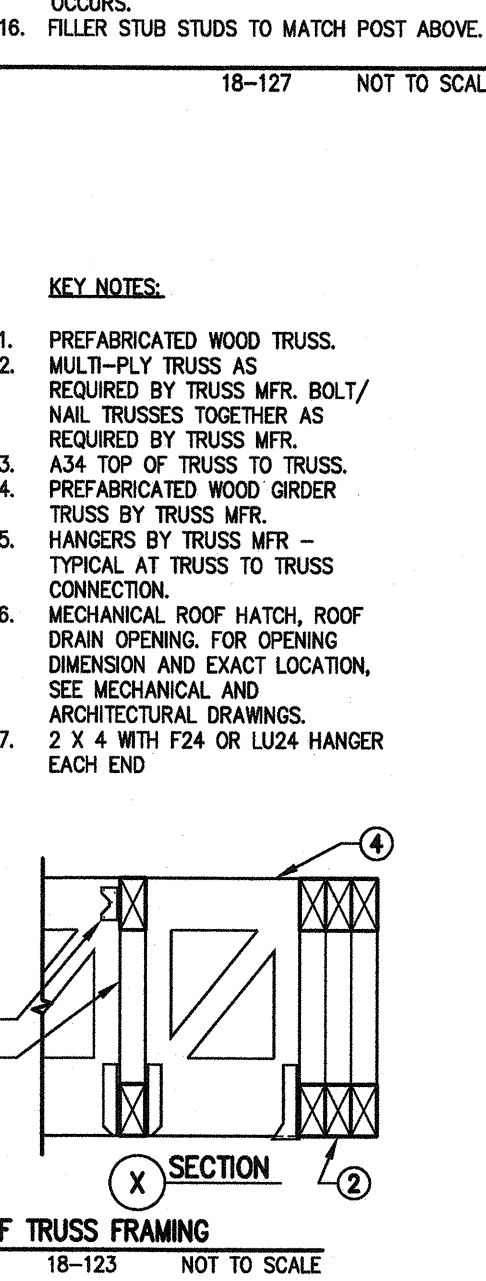
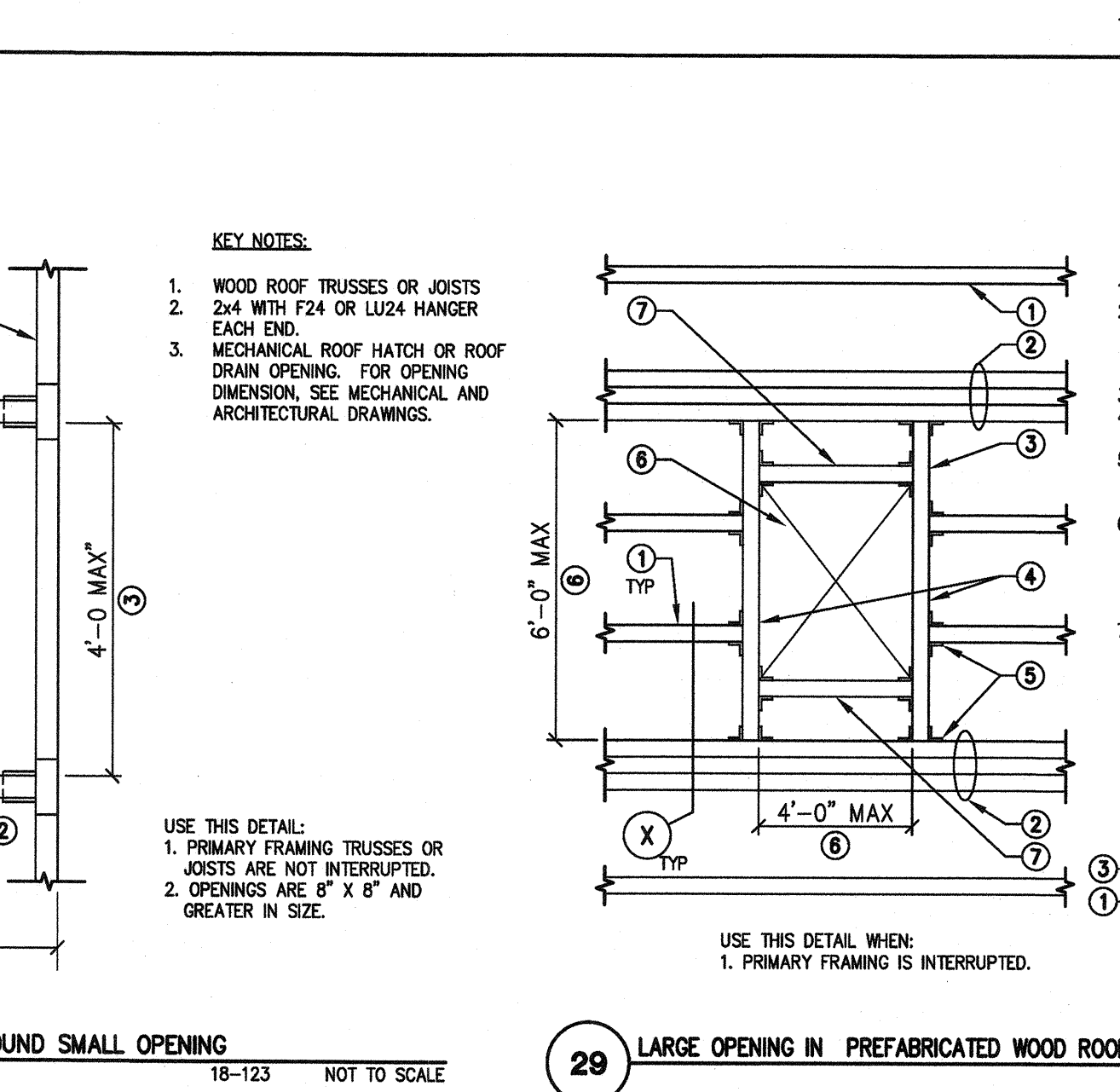
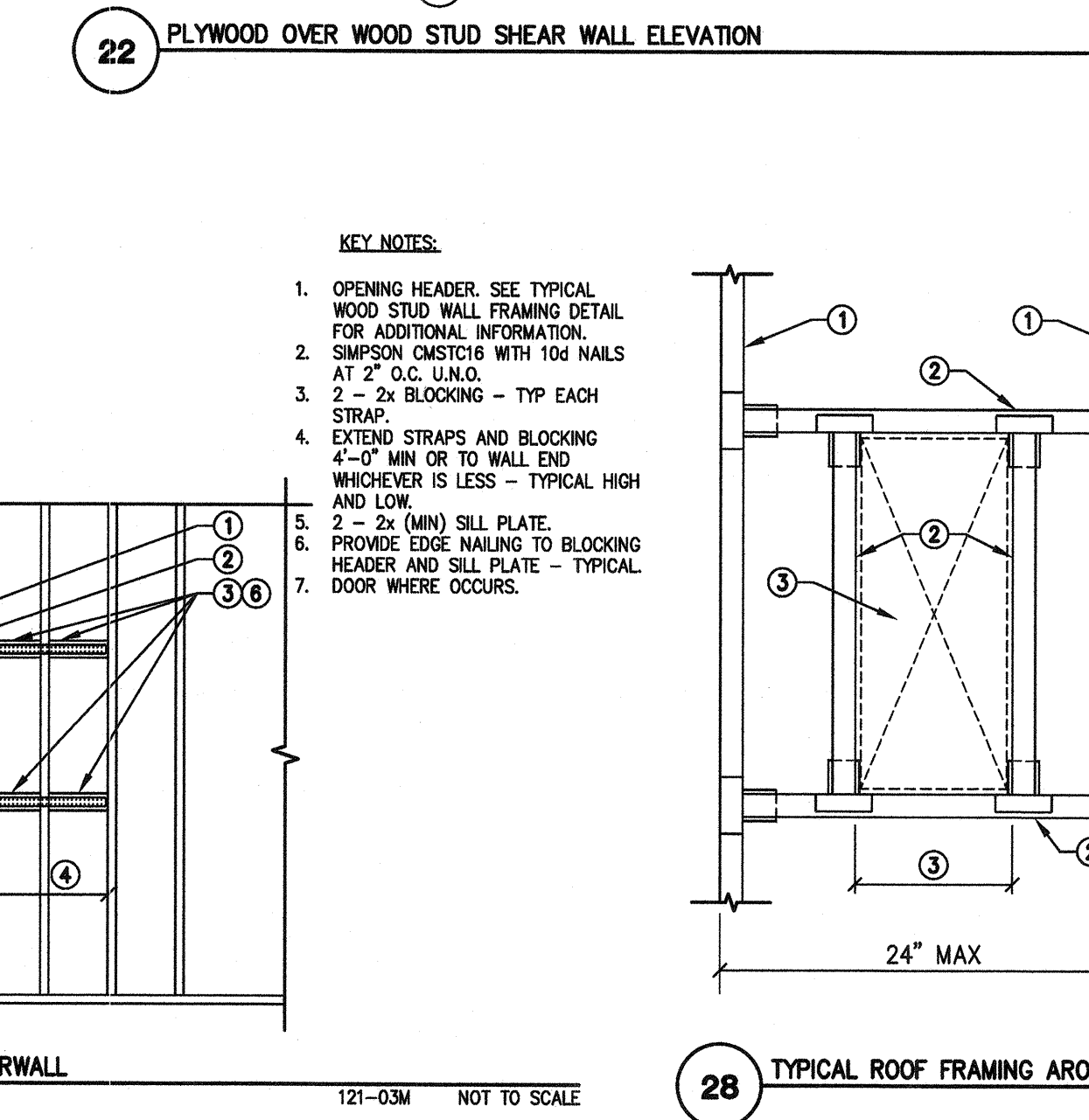
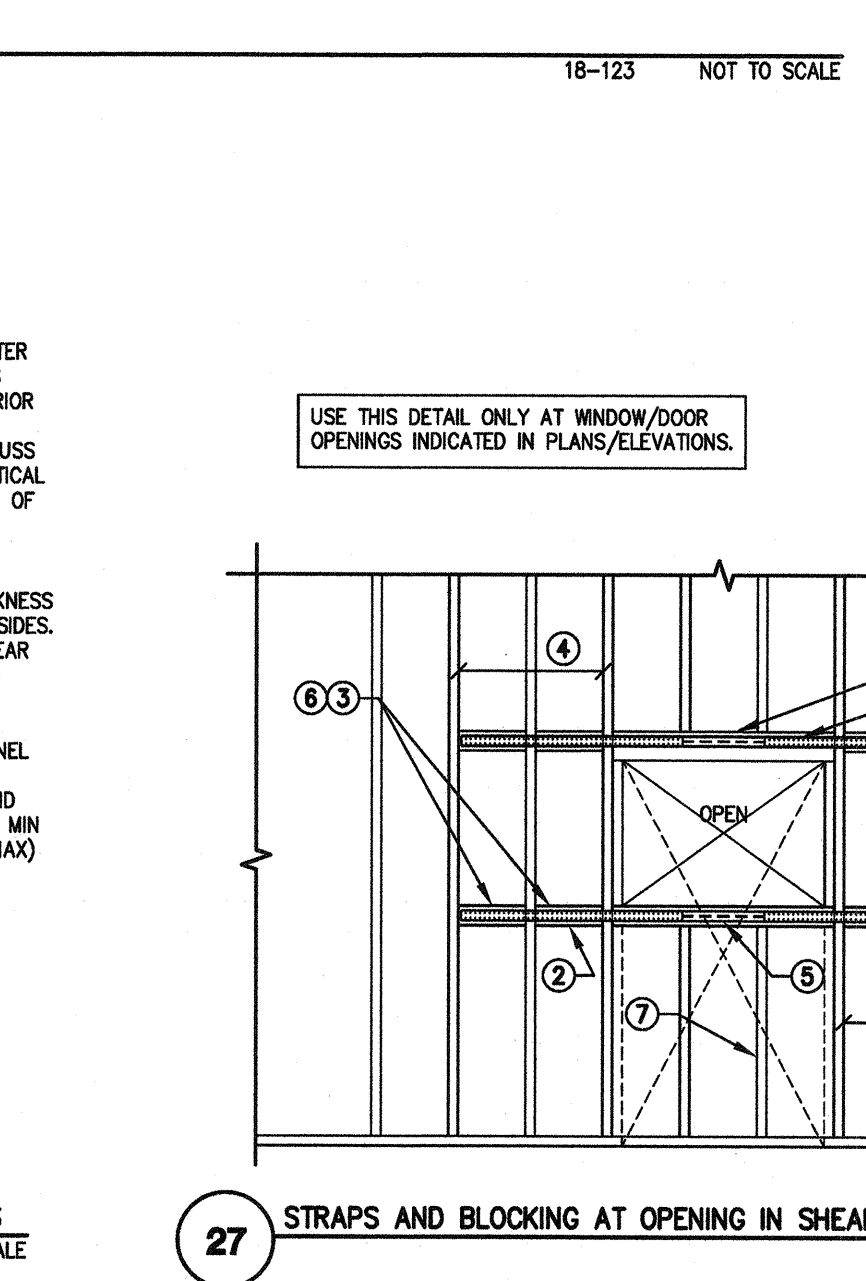
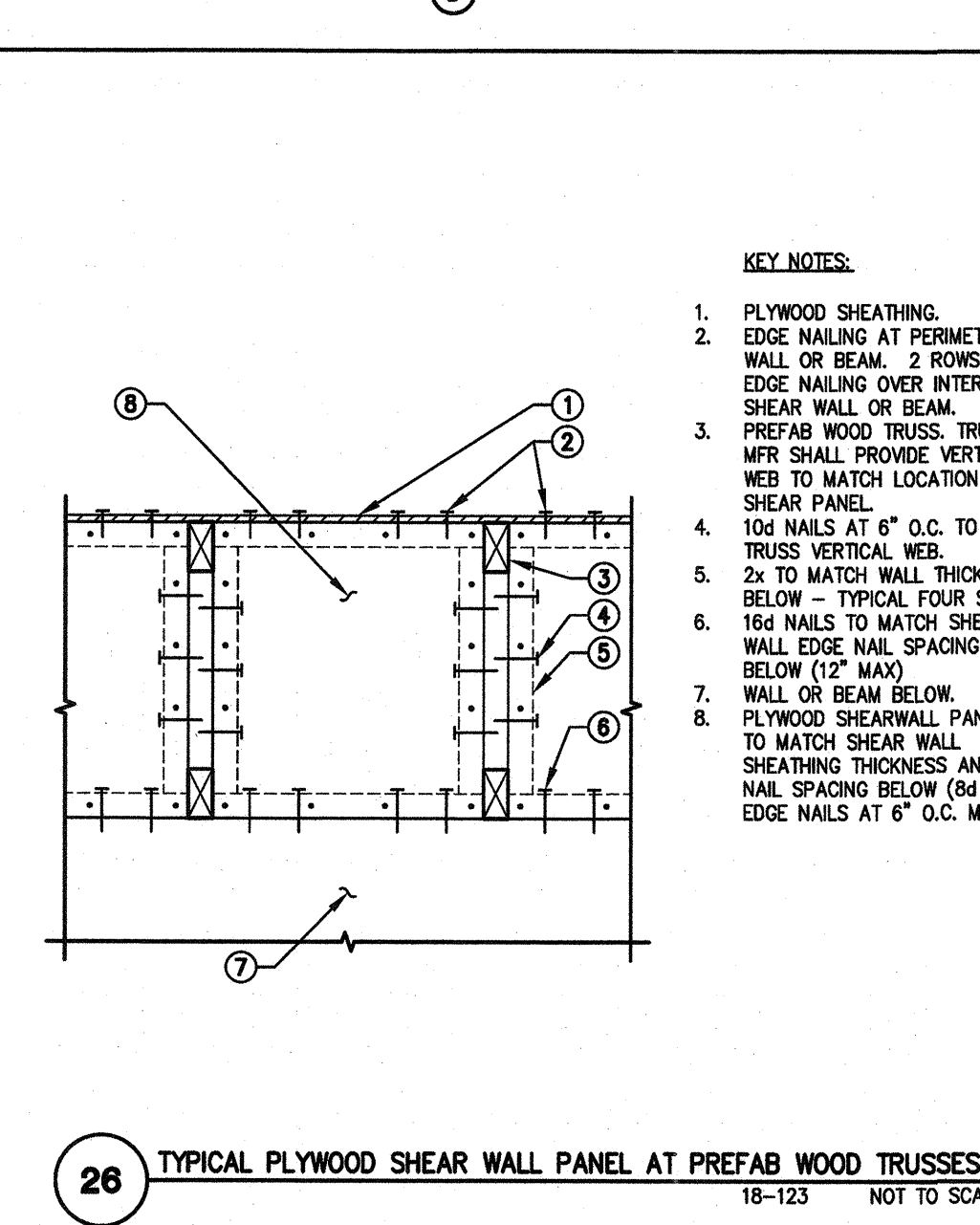
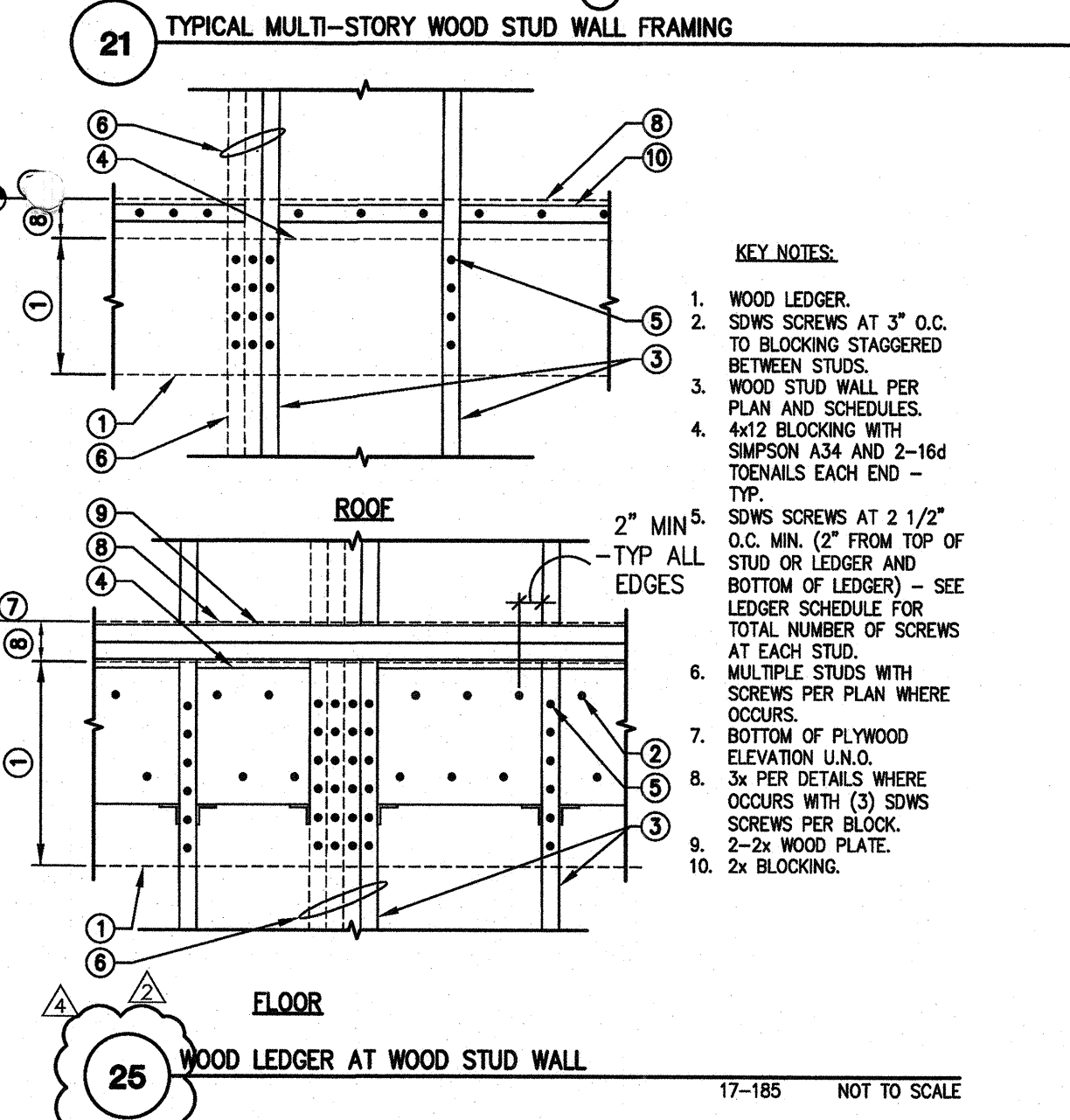
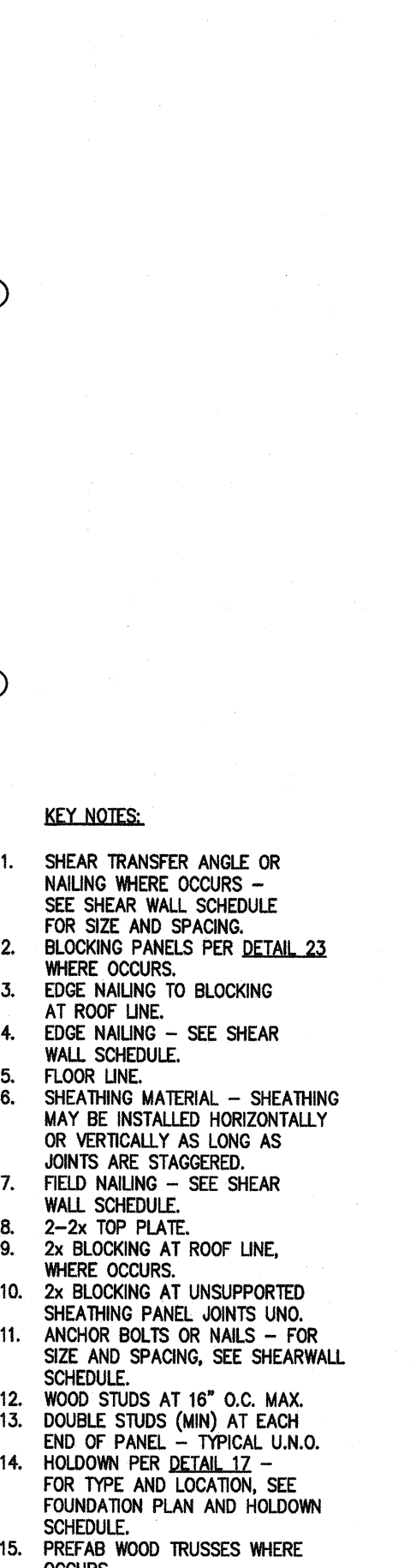
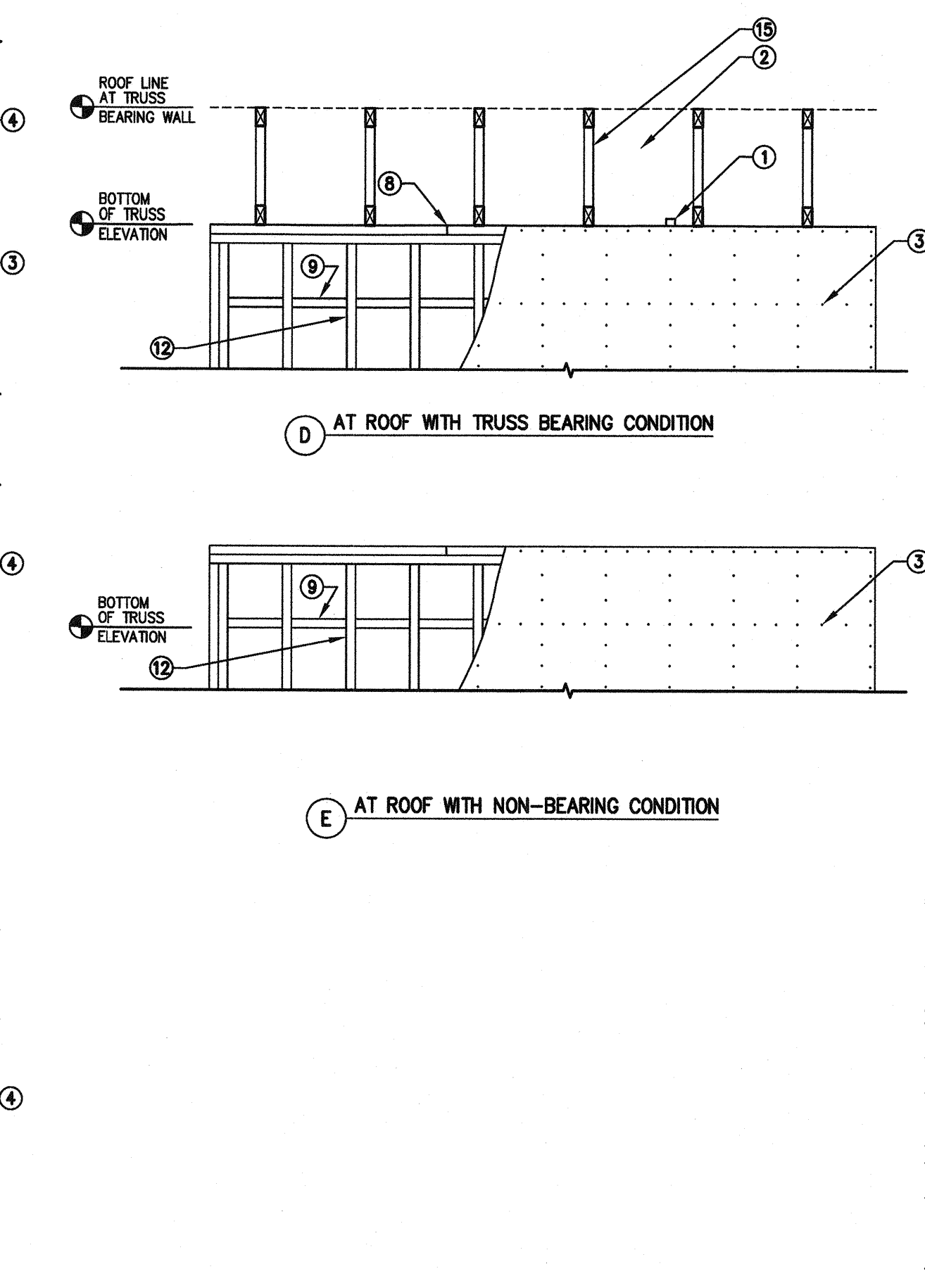
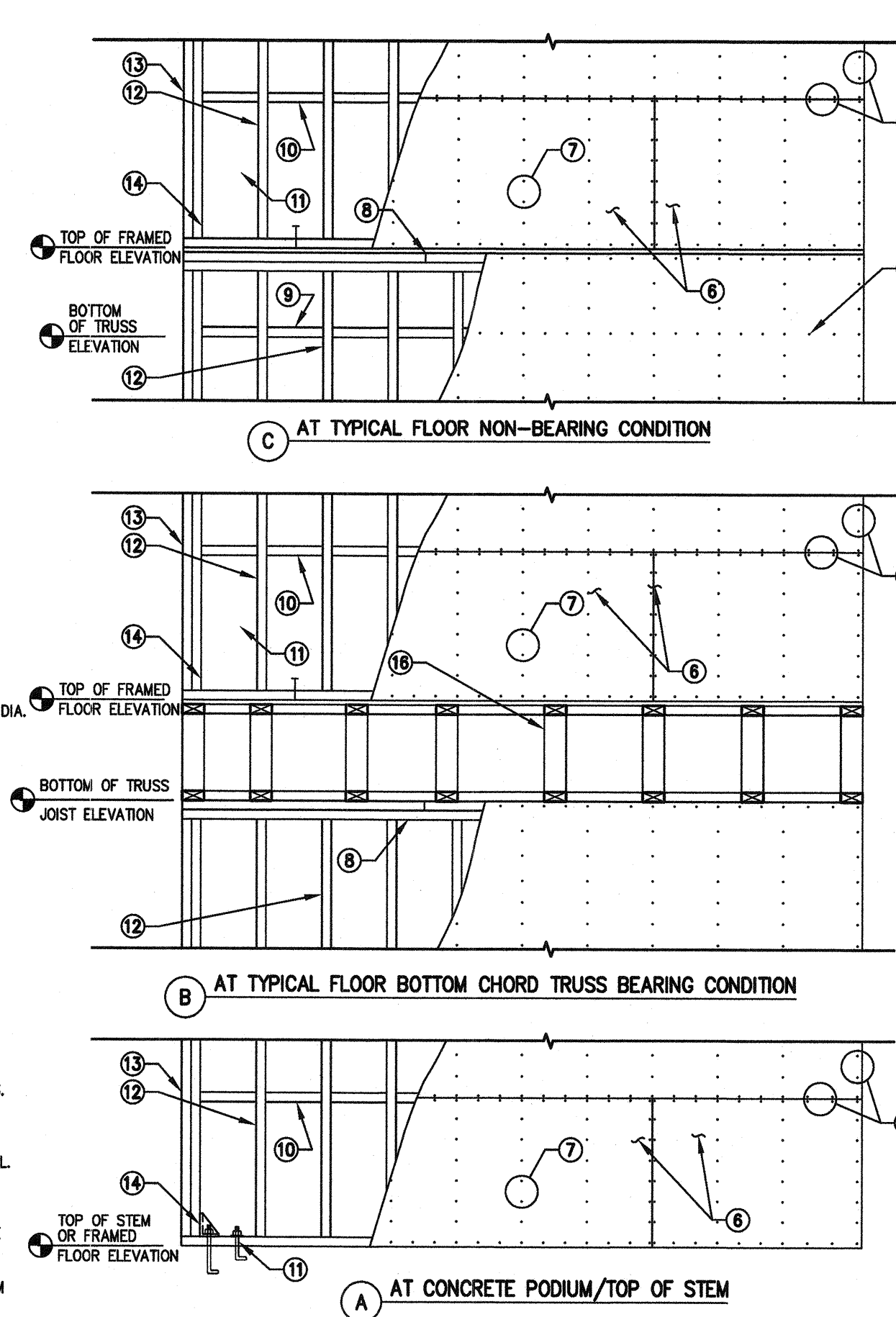
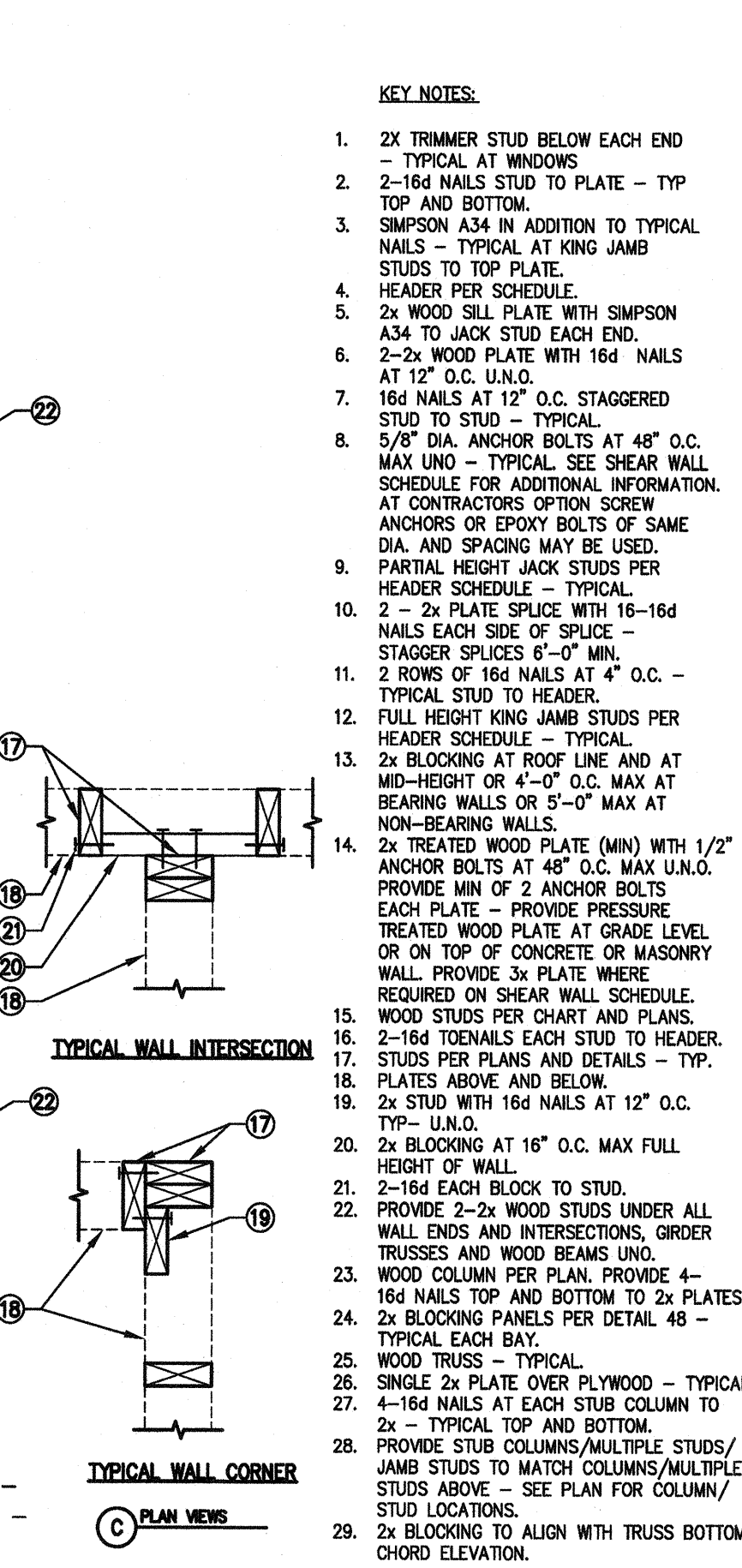
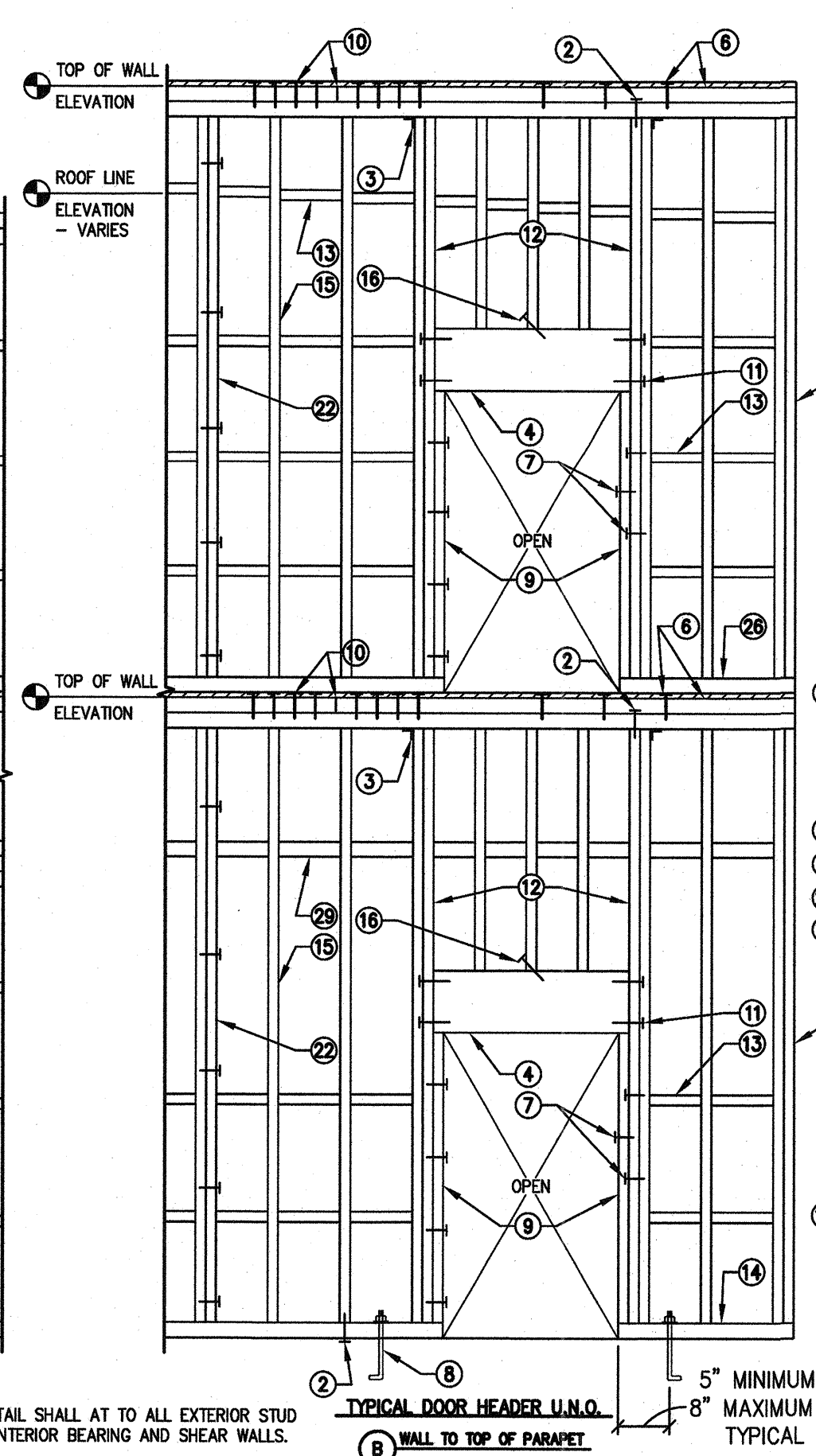
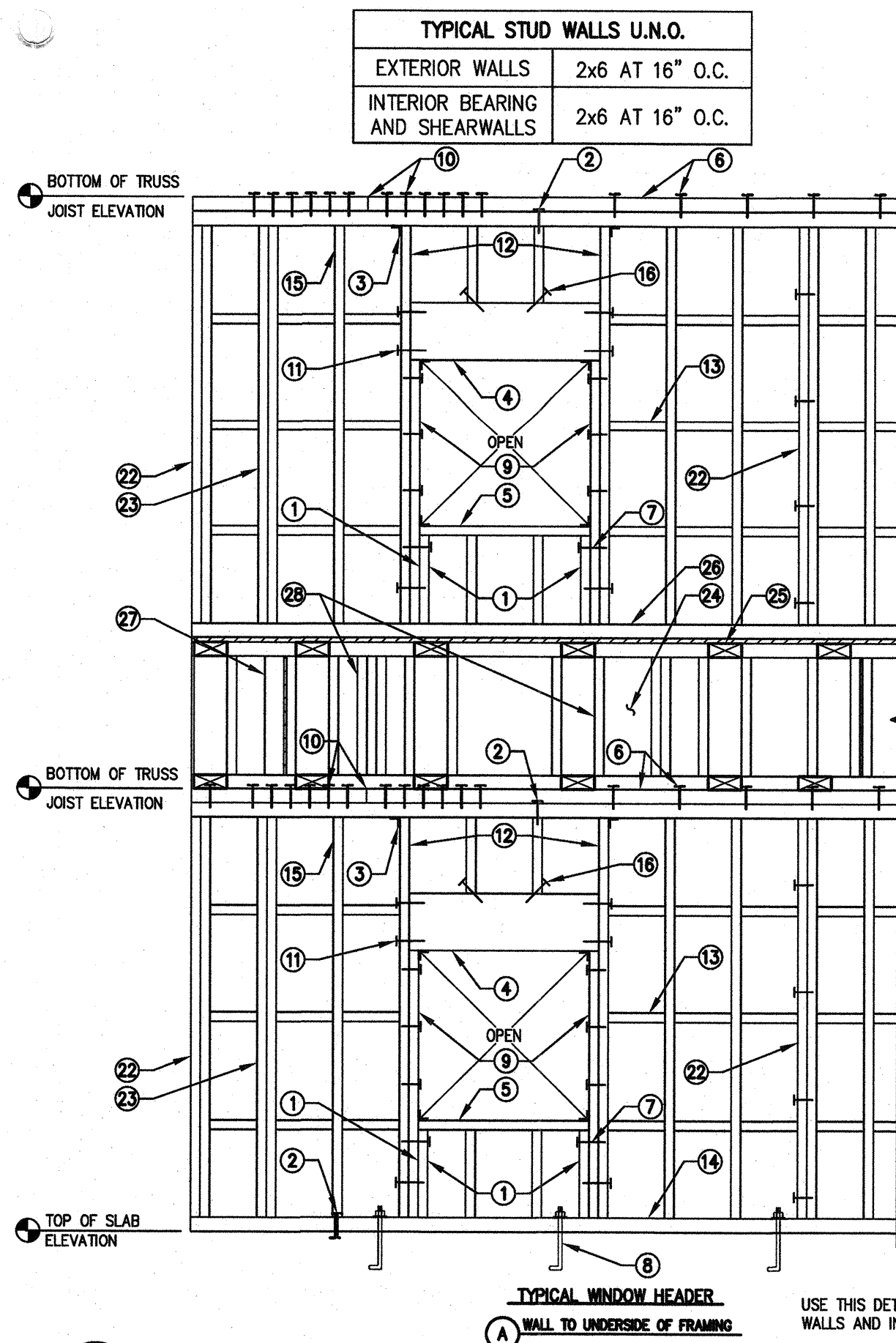
Revision Schedule		
No.	Date	Description

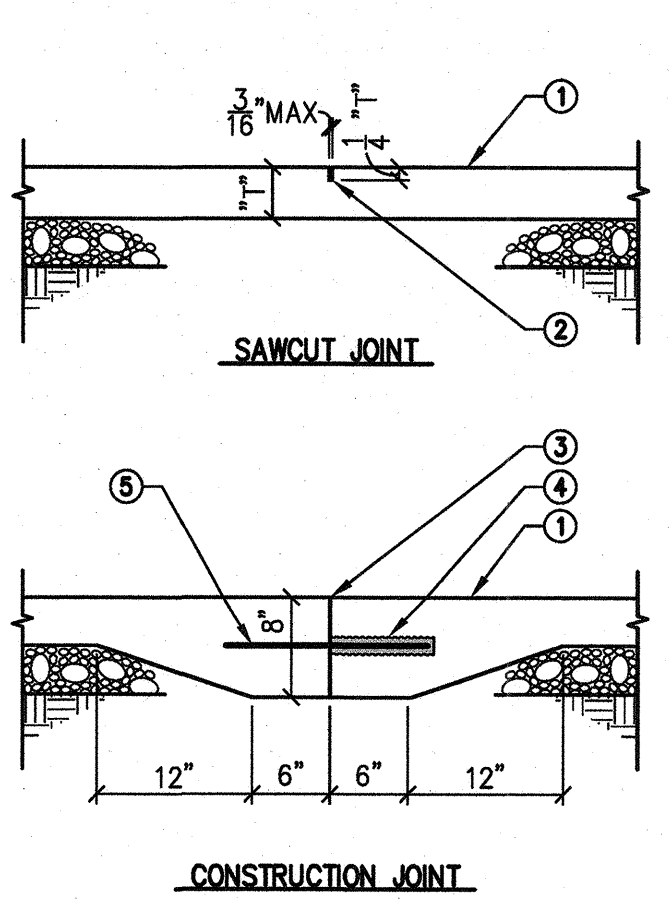
CITY OF PHOENIX
Planning and Development Department

By:

2019

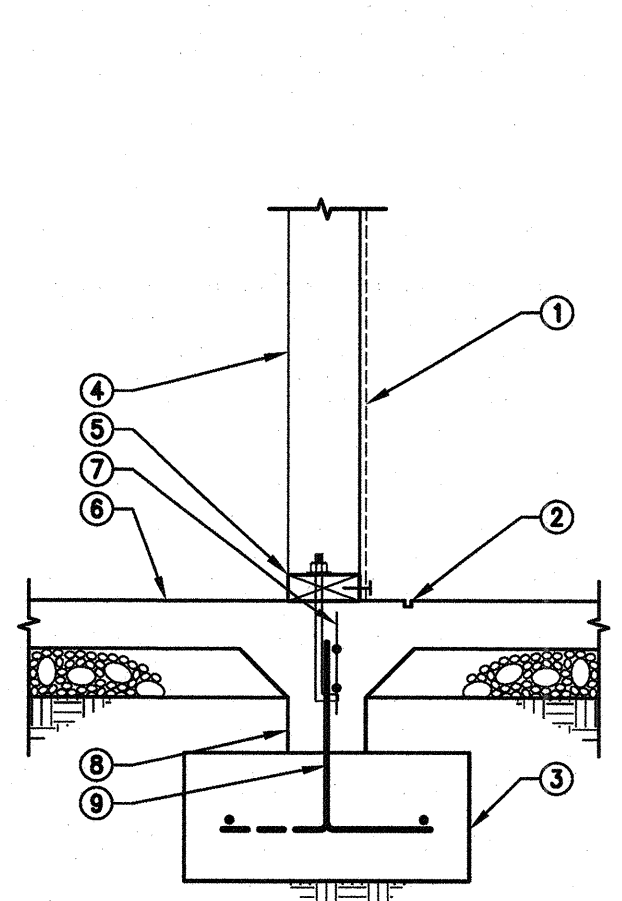
This set of plans has been reviewed for STRUCTURAL compliance with the City of Phoenix Building Department. It is the responsibility of the preparer to ensure that all provisions of the Building Code and all applicable codes are followed. The City of Phoenix is not responsible for any errors or omissions in these plans.





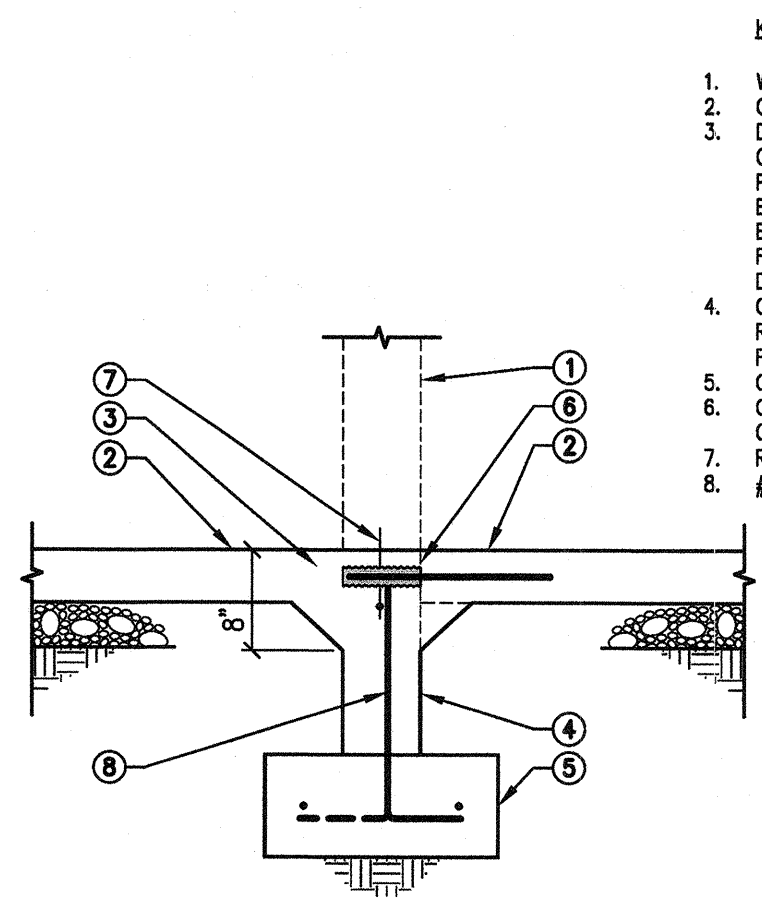
- KEY NOTES:**
1. CONCRETE SLAB ON GRADE SAWCUT - 1/8" WIDE CUT SHALL BE MADE TO PREVENT SHRINKAGE CRACKING, BUT NOT TO SOON AS TO CAUSE SPALLING OF THE CONCRETE WHILE SAWING. SEE ARCHITECTURAL DRAWINGS FOR JOINT TREATMENT.
 2. PLASTIC SHEATHING OVER ONE END OF SMOOTH DOWEL TAPE END TO PREVENT CONCRETE FROM BINDING WITH SMOOTH DOWEL.
 3. 1/2" DIA. x 1"-4" SMOOTH DOWELS AT 12" O.C. DOWELS SHALL BE BOTH LEVEL AND PERPENDICULAR TO JOINT.
- CONSTRUCTION JOINTS NEED ONLY OCCUR AT EXPOSED EDGES DURING PLACEMENT UNLESS SPECIFICALLY NOTED ON THE PLANS.

101 CONTROL JOINTS IN CONCRETE SLAB ON GRADE 100-01M NOT TO SCALE



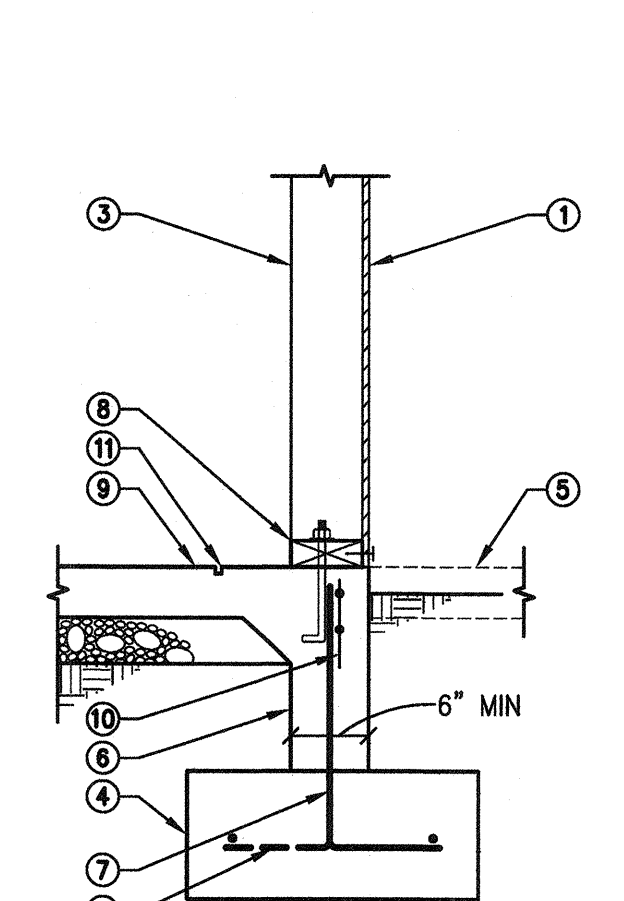
- KEY NOTES:**
1. SHEAR WALL SHEATHING WHERE INDICATED.
 2. SAWCUT JOINT WHERE OCCURS.
 3. CONCRETE FOOTING.
 4. WOOD STUD WALL.
 5. 2 X WOOD PLATE.
 6. CONCRETE SLAB.
 7. 2 #4 CONTINUOUS.
 8. 6" (MIN) CONCRETE STEM WALL.
 9. #4 DOWELS AT 48" O.C. MAX.

102 INTERIOR WOOD STUD WALL FOOTING 18-123 NOT TO SCALE



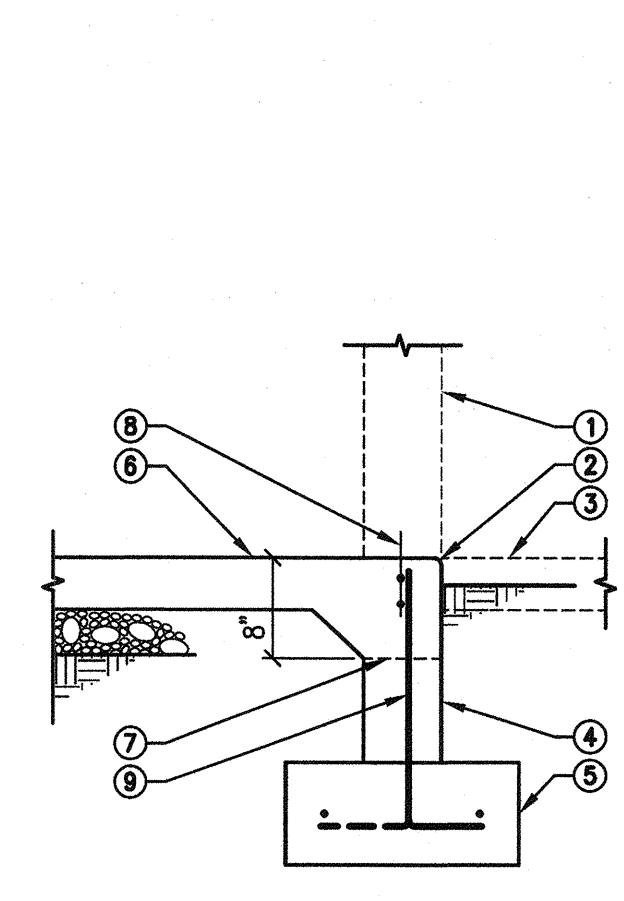
- KEY NOTES:**
1. WALL BEYOND.
 2. CONCRETE SLAB ON GRADE.
 3. DOWELS PER DETAIL 101 AT CONSTRUCTION JOINT WITH PLASTIC SHEATHING OVER ONE END OF SMOOTH DOWEL TAPE END TO PREVENT CONCRETE FROM BINDING WITH SMOOTH DOWEL.
 4. CONCRETE STEM WITH REINFORCING CONTINUOUS FROM BEYOND.
 5. CONCRETE FOOTING.
 6. CONSTRUCTION JOINT WHERE OCCURS.
 7. REINFORCING FROM BEYOND.
 8. #4 DOWELS AT 48" O.C. MAX.

103 OPENING IN INTERIOR WALL FOOTING 123-01.1M NOT TO SCALE



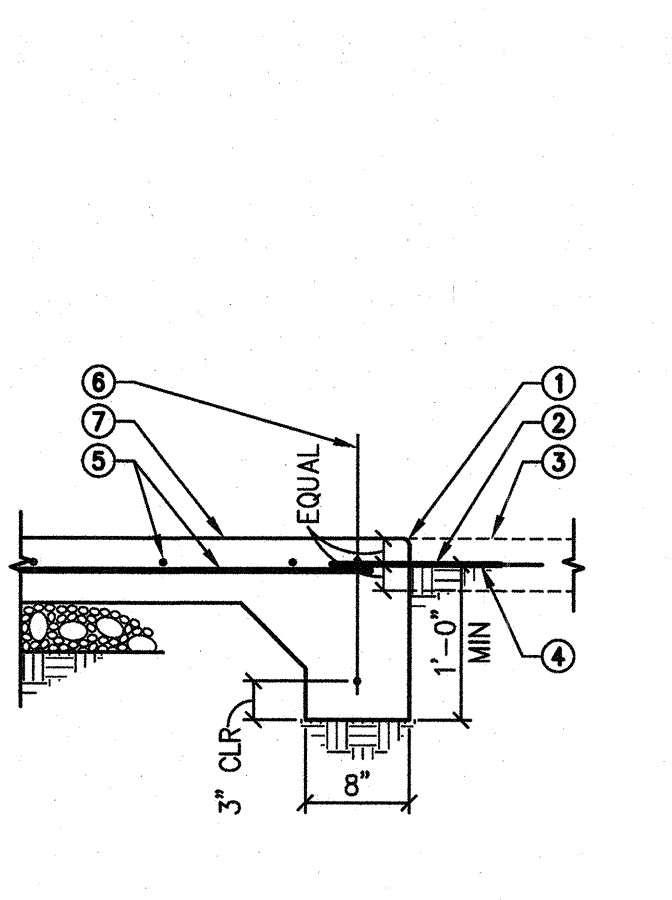
- KEY NOTES:**
1. SW6 PLYWOOD SHEATHING U.N.O.
 2. ALTERNATE BENDS.
 3. WOOD STUD WALL.
 4. CONCRETE FOOTING.
 5. FINISHED GRADE OR CONCRETE SLAB AS OCCURS.
 6. CONCRETE STEM WALL.
 7. #4 DOWELS AT 48" O.C. MAX.
 8. 2X WOOD PLATE.
 9. CONCRETE SLAB.
 10. 2 #4 CONTINUOUS.
 11. SAWCUT JOINT.

104 EXTERIOR WOOD STUD FOOTING 18-123 NOT TO SCALE



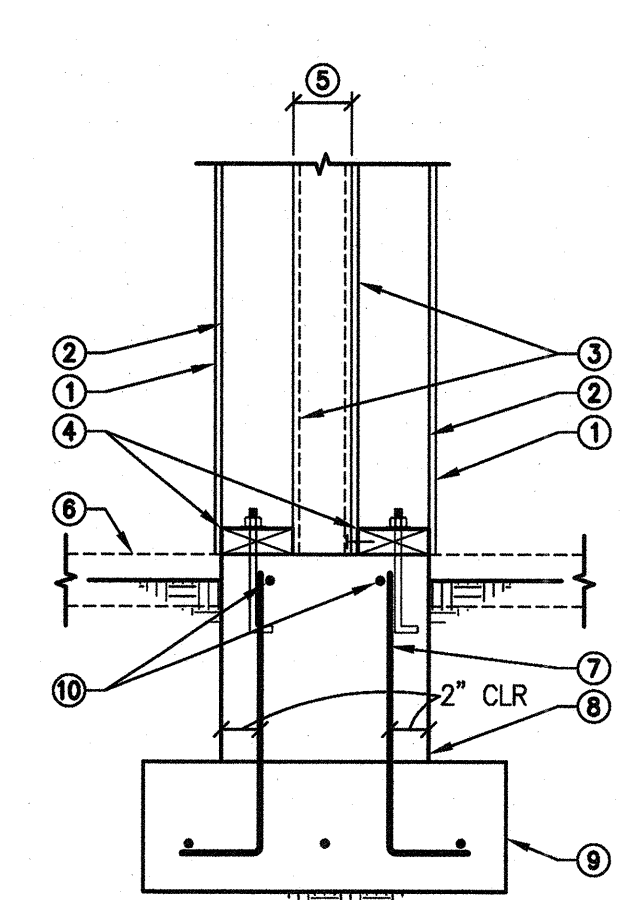
- KEY NOTES:**
1. WOOD STUD WALL BEYOND.
 2. TOOLED EDGE.
 3. FINISHED GRADE OR CONCRETE SLAB AS OCCURS.
 4. CONCRETE STEM WITH REINFORCING CONTINUOUS FROM BEYOND.
 5. CONCRETE FOOTING.
 6. CONCRETE SLAB ON GRADE.
 7. OPTIONAL CONSTRUCTION JOINT.
 8. REINFORCING FROM BEYOND.
 9. #4 DOWELS AT 48" O.C. MAX.

105 OPENING IN EXTERIOR WOOD STUD WALL FOOTING 123-01.1M NOT TO SCALE



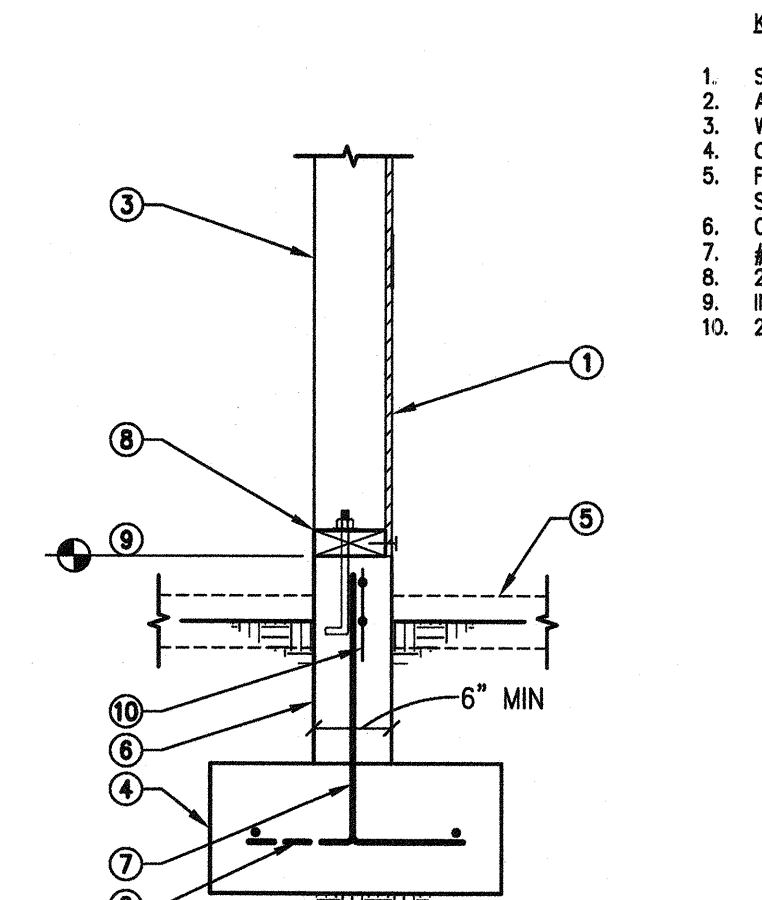
- KEY NOTES:**
1. TOOLED EDGE.
 2. 5/8" DIA. x 1"-4" LONG SMOOTH DOWEL AT 12" O.C. CENTERED ON JOINT WHERE SHOWN ON PLAN. USE FORMS TO SET ALL DOWELS TO MAINTAIN ACCURATE POSITIONING BOTH LEVEL AND PERPENDICULAR TO JOINT.
 3. FINISHED GRADE OR CONCRETE SLAB AS OCCURS.
 4. WRAP EXTERIOR END OF DOWEL WITH DUCT TAPE TO PREVENT BINDING.
 5. REINFORCING WHERE OCCURS.
 6. 1 #4 CONT. TOP AND BOTTOM.
 7. CONCRETE SLAB.

106 TYPICAL EXTERIOR CONCRETE SLAB TURN-DOWN 101-01.1M NOT TO SCALE



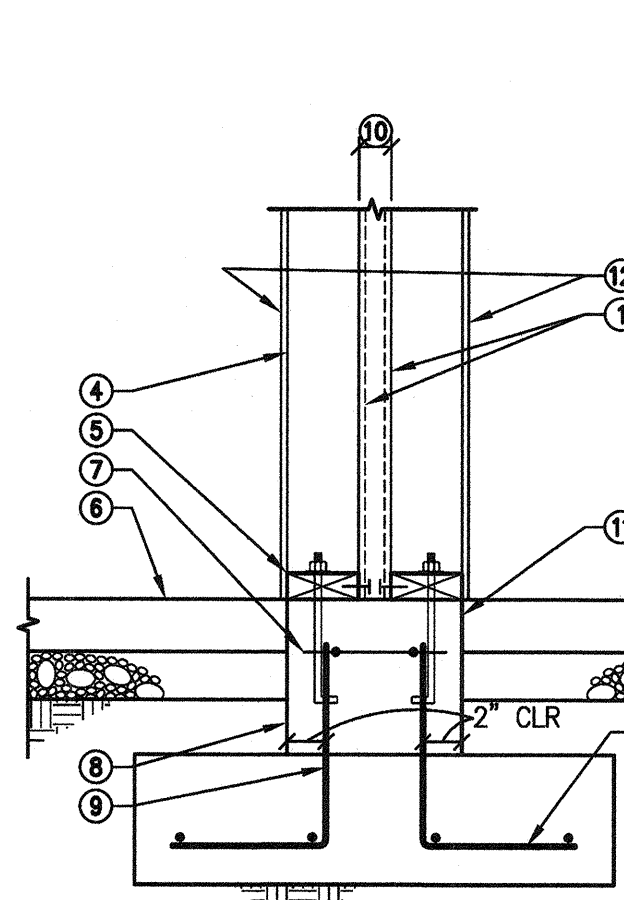
- KEY NOTES:**
1. SW6 GYPBOARD SHEAR WALL SHEATHING U.N.O.
 2. WOOD STUD WALL.
 3. SHEATHING PER ARCH'L DRAWINGS.
 4. 2X WOOD PLATE.
 5. SEE ARCH'L DRAWINGS.
 6. CONCRETE SLAB OR FINISHED GRADE ON PLANS.
 7. #4 DOWELS EACH CORNER OF POPOUT AND AT 24" O.C. ALL AROUND.
 8. CONCRETE STEM TO MATCH WALL DIMENSIONS.
 9. CONCRETE FOOTING FROM BEYOND.
 10. REINFORCING CONTINUOUS FROM BEYOND.

107 EXTERIOR DOUBLE WOOD STUD WALL FOOTING 18-123 NOT TO SCALE



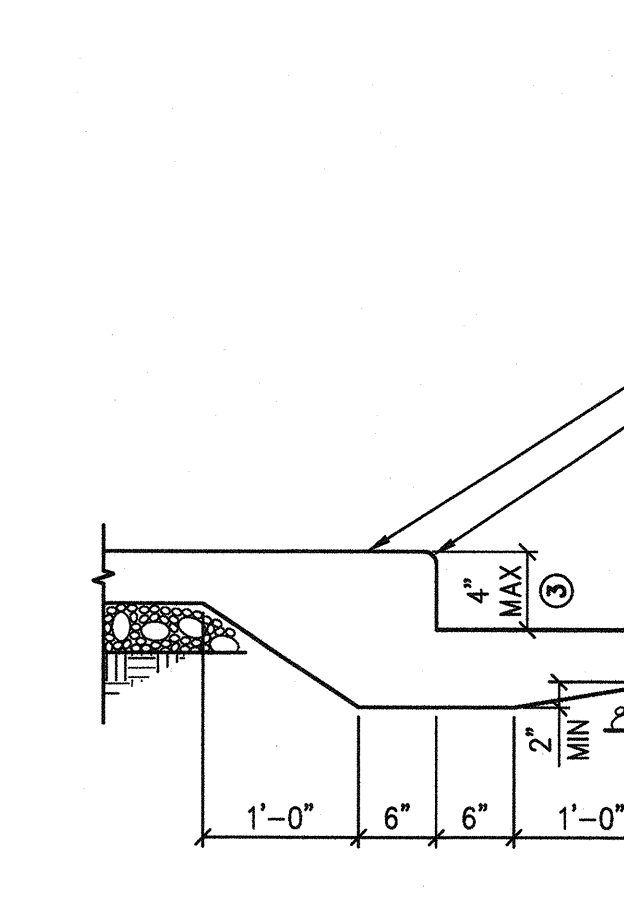
- KEY NOTES:**
1. SW6 PLYWOOD SHEATHING U.N.O.
 2. ALTERNATE BENDS.
 3. WOOD STUD WALL.
 4. CONCRETE FOOTING.
 5. FINISHED GRADE OR CONCRETE SLAB AS OCCURS.
 6. CONCRETE STEM WALL.
 7. #4 DOWELS AT 48" O.C. MAX.
 8. 2X WOOD PLATE.
 9. INTERIOR F.F.E.
 10. 2 #4 CONTINUOUS.

108 EXTERIOR WOOD STUD WALL FOOTING 18-123 NOT TO SCALE



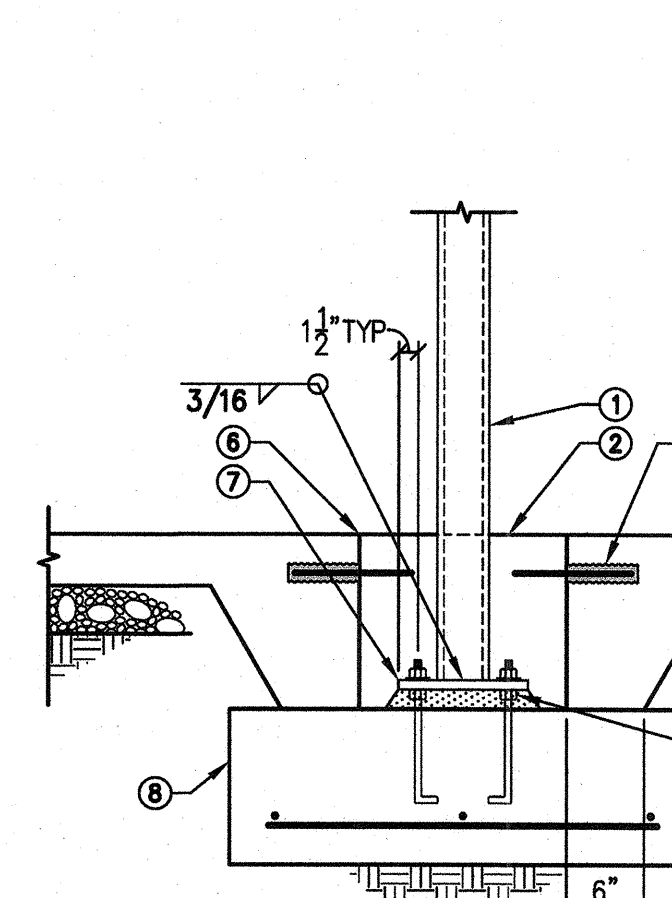
- KEY NOTES:**
1. SHEATHING PER ARCH'L DRAWINGS.
 2. SEE ARCH'L DRAWINGS.
 3. CONCRETE FOOTING.
 4. WOOD STUD WALL.
 5. 2 X WOOD PLATE.
 6. CONCRETE SLAB.
 7. 2 #4 CONTINUOUS.
 8. 6" (MIN) CONCRETE STEM WALL.
 9. #4 DOWELS AT 48" O.C. MAX - TYPICAL EACH FACE.
 10. SEE ARCH'L DRAWINGS.
 11. CONSTRUCTION JOINT WHERE OCCURS.
 12. SW6 GYPBOARD SHEAR WALL SHEATHING U.N.O.

109 INTERIOR DOUBLE WOOD STUD WALL FOOTING 18-123 NOT TO SCALE



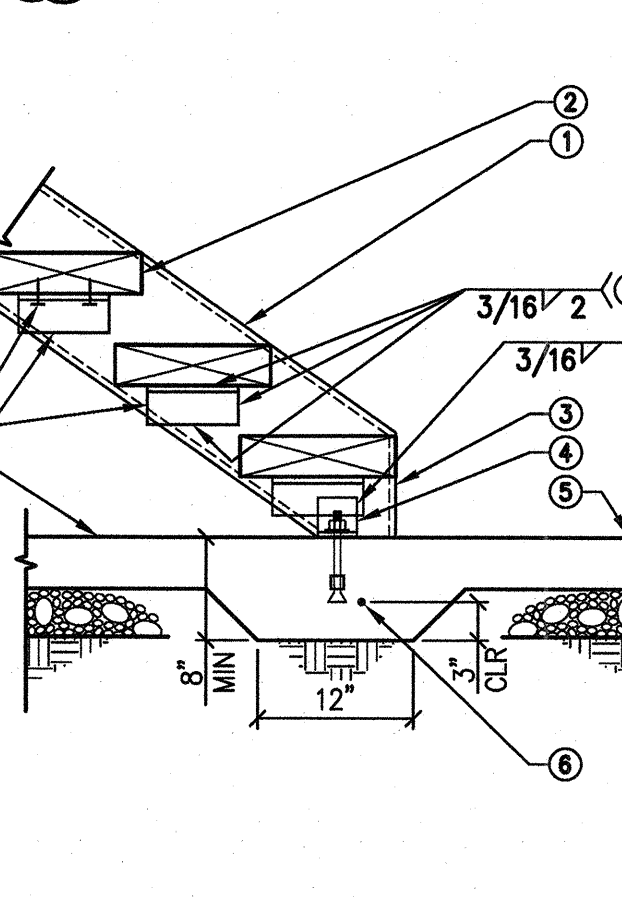
- KEY NOTES:**
1. CONCRETE SLAB ON GRADE.
 2. TOOLED EDGE.
 3. VERIFY WITH ARCHITECTURAL DRAWINGS.

110 DEPRESSION IN CONCRETE SLAB ON GRADE 100-06.2 NOT TO SCALE



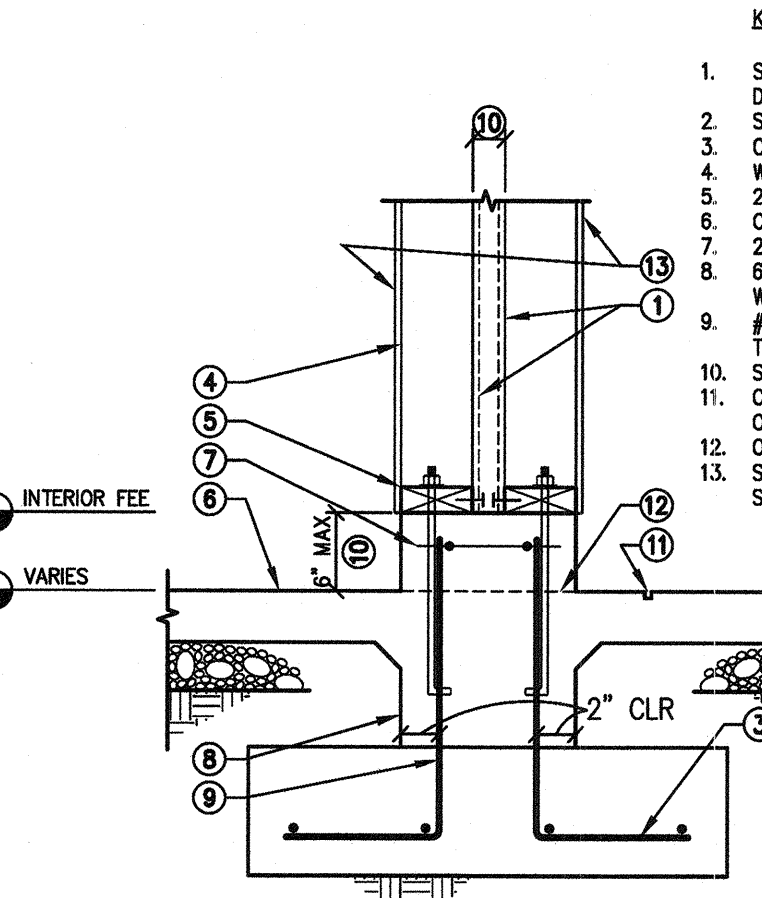
- KEY NOTES:**
1. STEEL TUBE COLUMN.
 2. CONCRETE CLOSURE POUR AROUND COLUMN PER TYPICAL DETAIL.
 3. DOWELS PER TYPICAL DETAIL.
 4. CONCRETE SLAB.
 5. ANCHOR BOLTS WITH DOUBLE NUTS.
 6. CONSTRUCTION JOINT.
 7. STEEL BASE PLATE OVER 1/2" ± DRYPACK.
 8. CONCRETE FOOTING.

111 INTERIOR STEEL COLUMN FOOTING 140-01M NOT TO SCALE



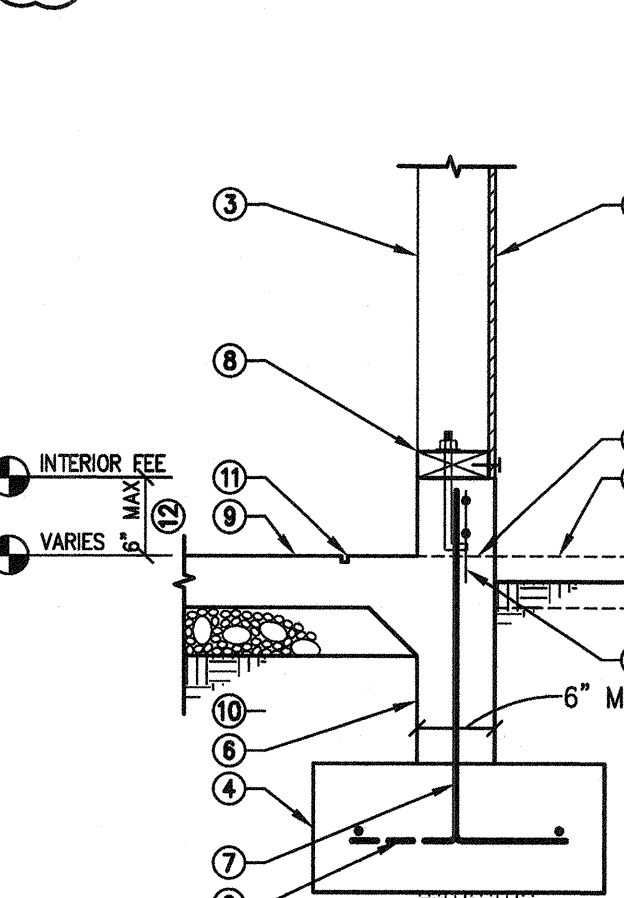
- KEY NOTES:**
1. STEEL STAIR BEAM FOR TREADS AND RISERS. SEE ARCH'L DRAWINGS.
 - 3/16" CLOSURE PLATE - BUTT WELD ALL AROUND.
 4. STEEL ANGLE 4"x3"x1/4" (SLIP) X 3" LONG WITH 1 - 3/4" DIA. EXPANSION BOLT.
 5. CONCRETE SLAB ON GRADE.
 6. 1 #4 CONTINUOUS.
 7. STEEL ANGLE 2"x2"x3/16" - TYPICAL.
 8. EACH END OF EACH ANGLE - TYPICAL.
 9. 3 SIDES.
 10. (2) 1/4" DIA. SCREW EACH TREAD TO ANGLE.

112 STAIR STRINGER BEAM AT SLAB ON GRADE 922-01.1M NOT TO SCALE



- KEY NOTES:**
1. SHEATHING PER ARCH'L DRAWINGS.
 2. SEE ARCH'L DRAWINGS.
 3. CONCRETE FOOTING.
 4. WOOD STUD WALL.
 5. 2 X WOOD PLATE.
 6. CONCRETE SLAB.
 7. 2 #4 CONTINUOUS.
 8. 6" (MIN) CONCRETE STEM WALL.
 9. #4 DOWELS AT 48" O.C. MAX - TYPICAL EACH FACE.
 10. SEE ARCH'L DRAWINGS.
 11. CONSTRUCTION JOINT WHERE OCCURS.
 12. OPTIONAL CONSTRUCTION JOINT.
 13. SW6 GYPBOARD SHEAR WALL SHEATHING U.N.O.

113 INTERIOR DOUBLE WOOD STUD WALL FOOTING AT DEPRESSED CONCRETE SLAB 18-123 NOT TO SCALE



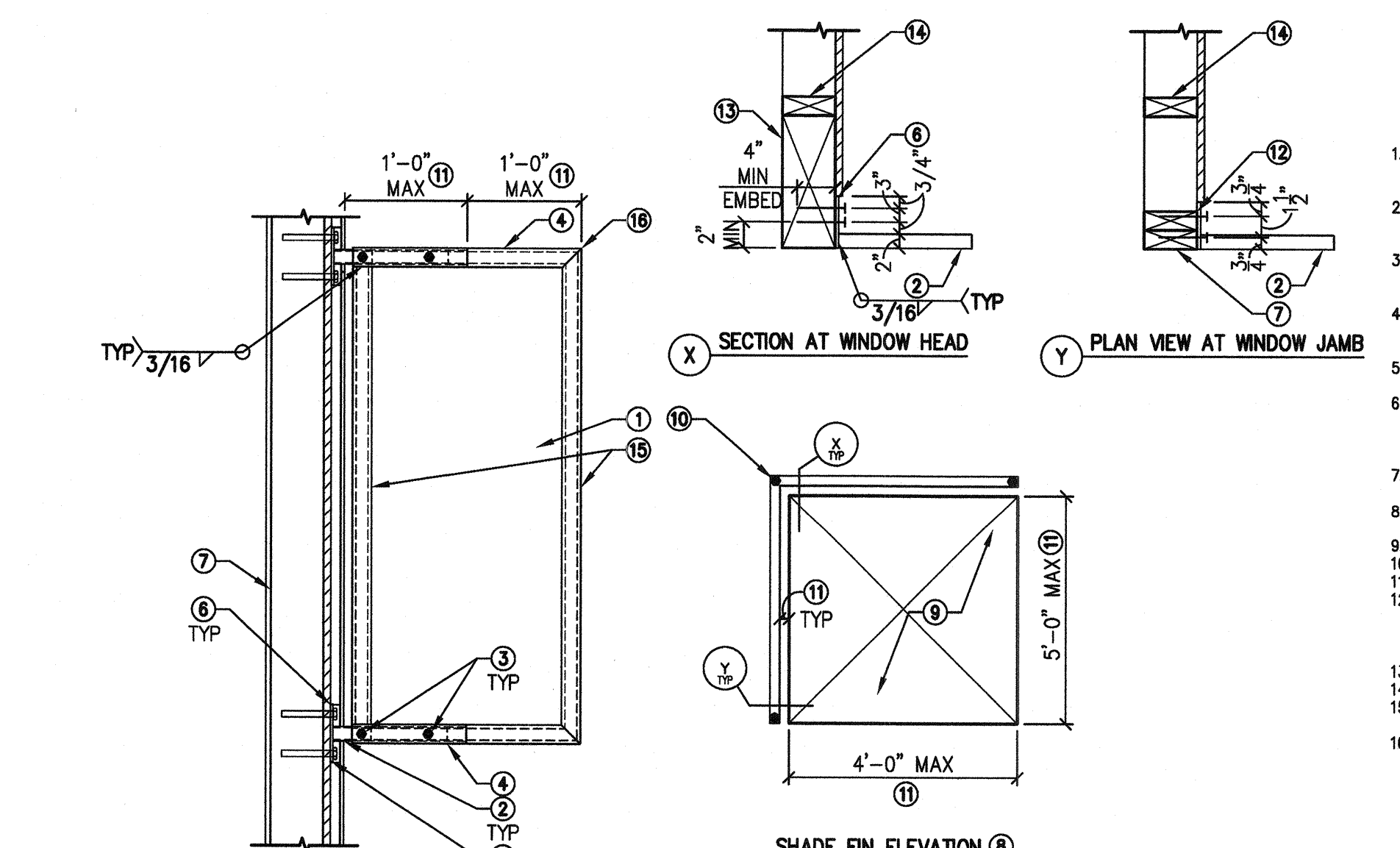
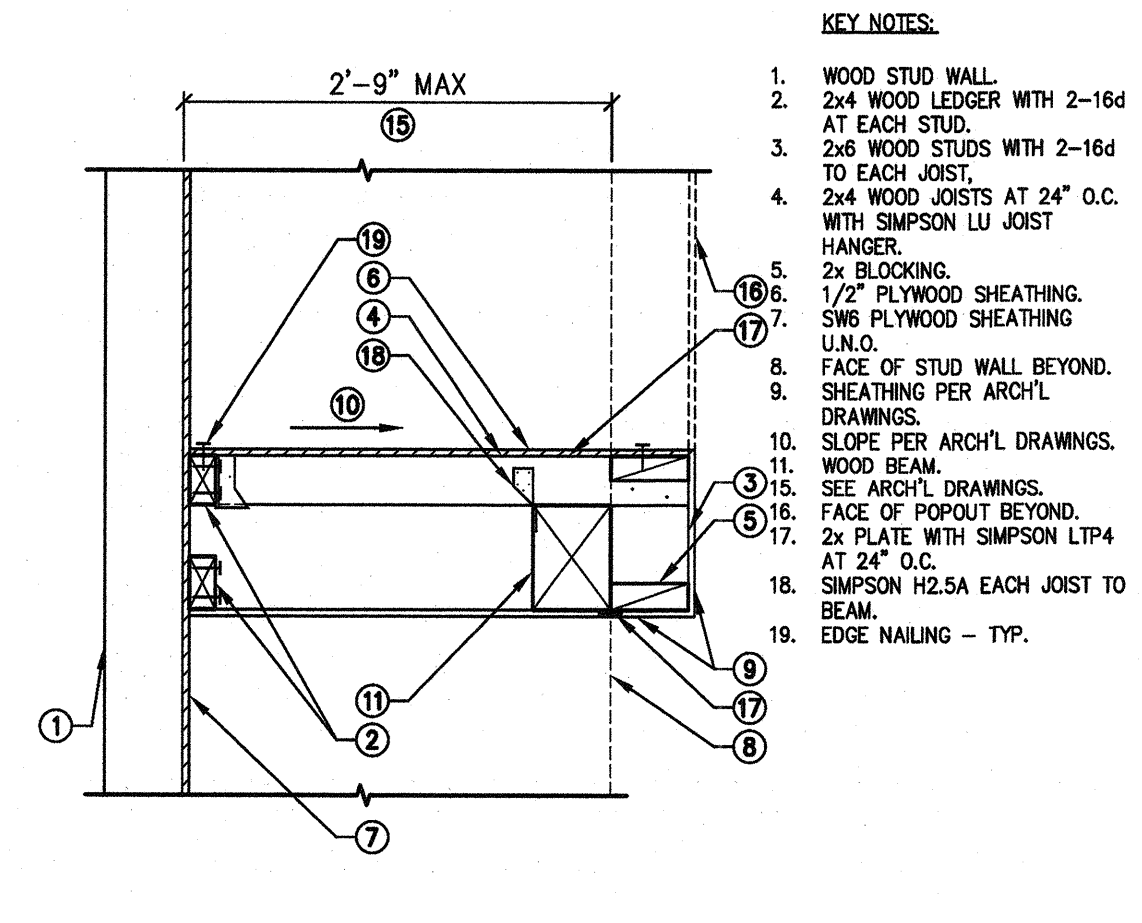
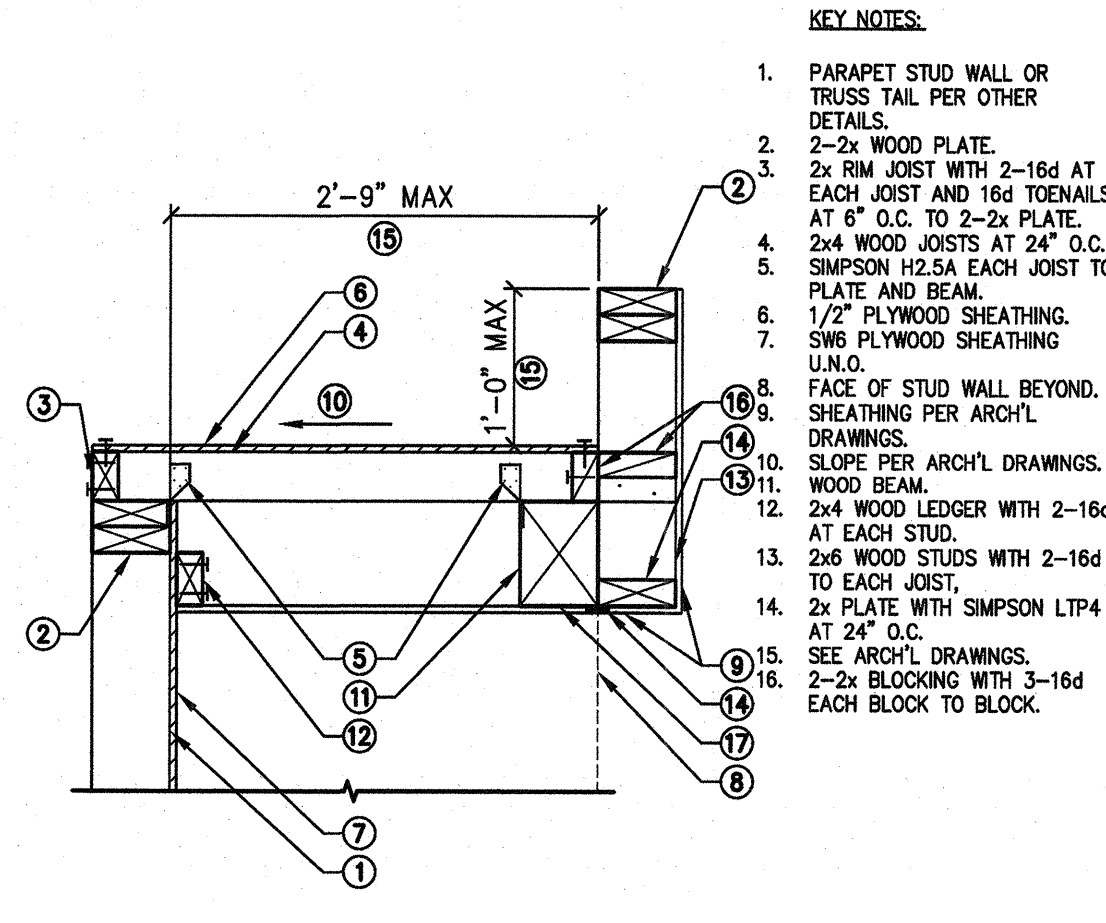
- KEY NOTES:**
1. SW6 PLYWOOD SHEATHING U.N.O.
 2. ALTERNATE BENDS.
 3. WOOD STUD WALL.
 4. CONCRETE FOOTING.
 5. FINISHED GRADE OR CONCRETE SLAB AS OCCURS.
 6. CONCRETE STEM WALL.
 7. #4 DOWELS AT 48" O.C. MAX.
 8. 2X WOOD PLATE.
 9. CONCRETE SLAB.
 10. 2 #4 CONTINUOUS.
 11. SAWCUT JOINT.
 13. OPTIONAL CONSTRUCTION JOINT.

114 EXTERIOR WOOD STUD FOOTING AT DEPRESSED CONCRETE SLAB 18-123 NOT TO SCALE

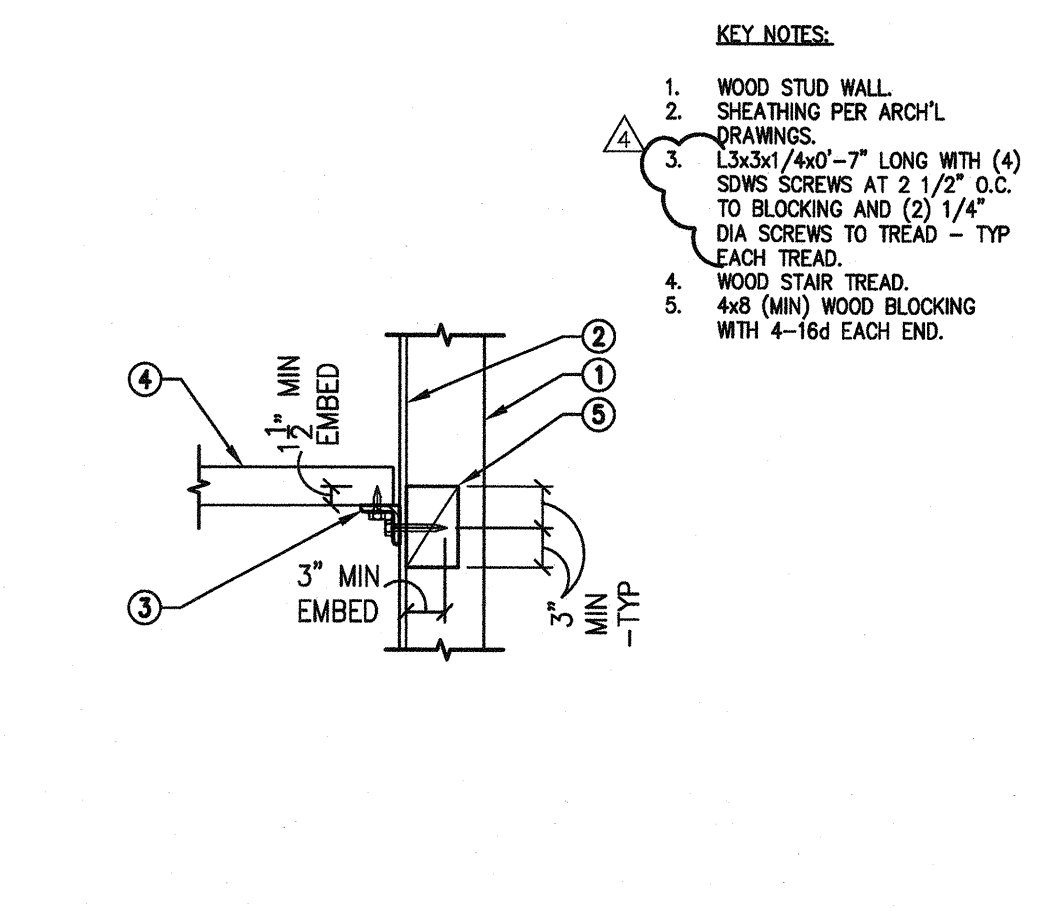
CONSTRUCTION DOCUMENTS

Revision Schedule		
No.	Date	Description
△	08.13.19	CITY COMMENTS - SECOND REVIEW

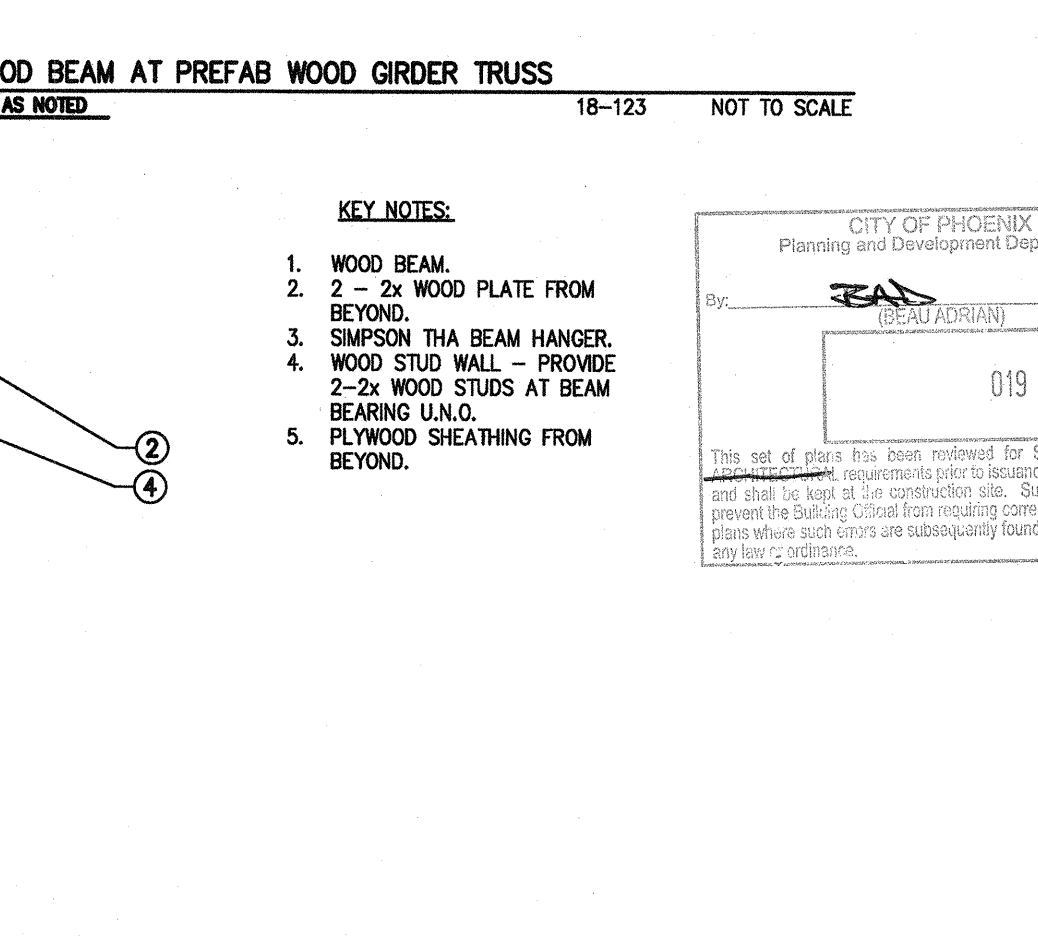
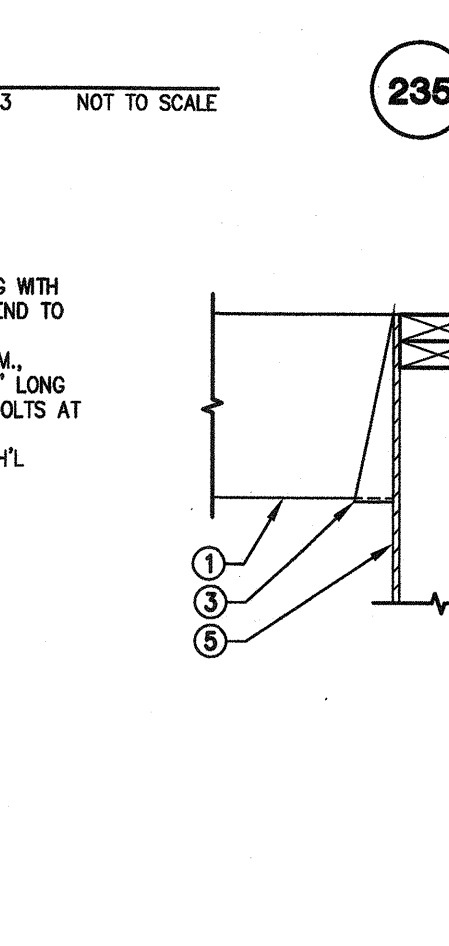
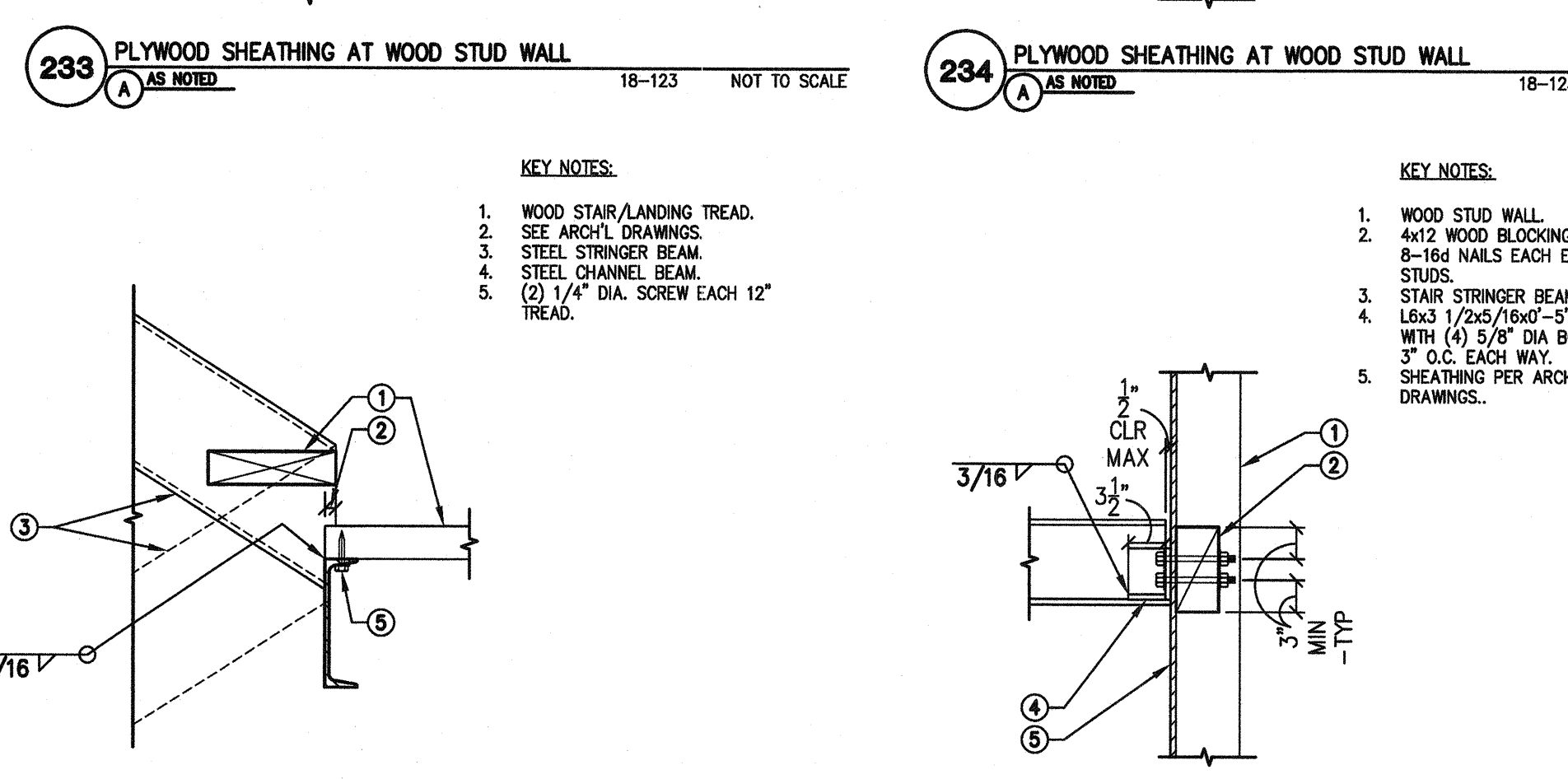
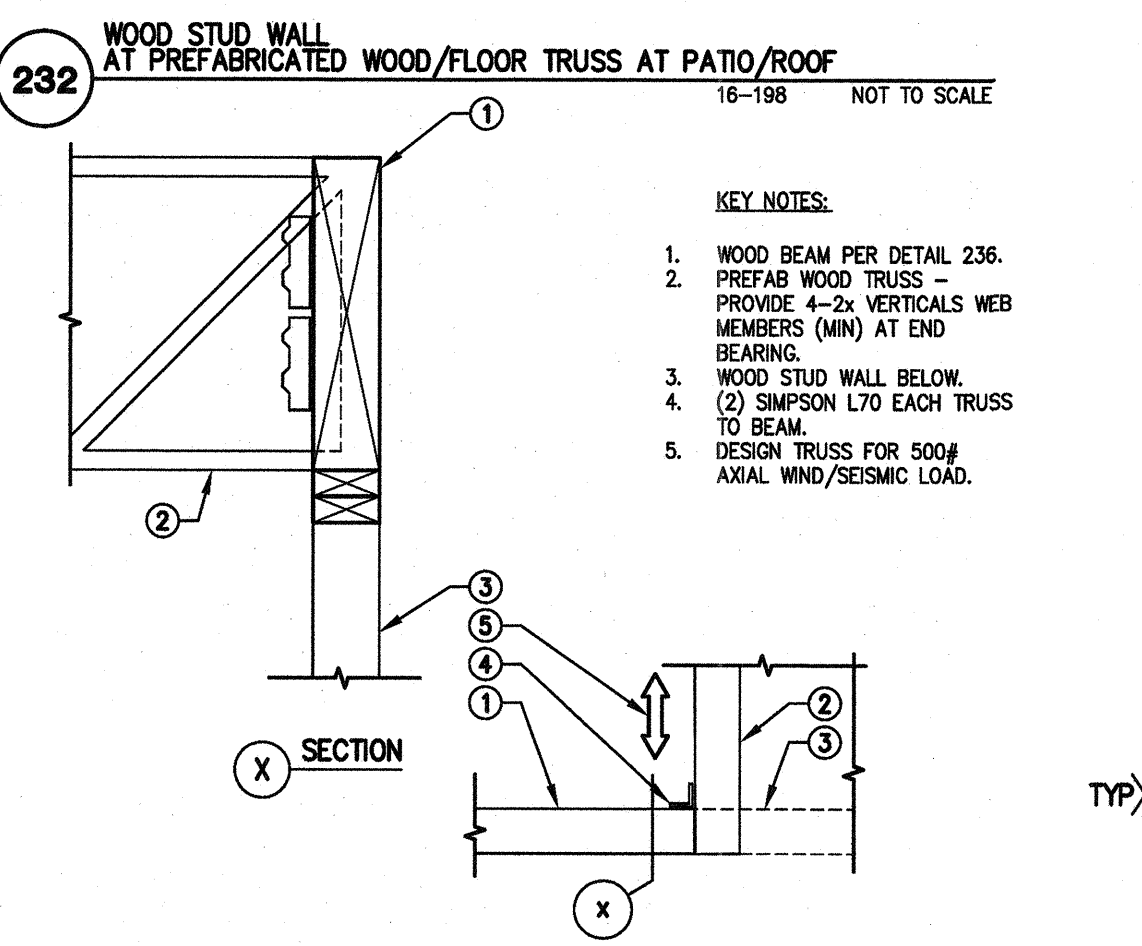
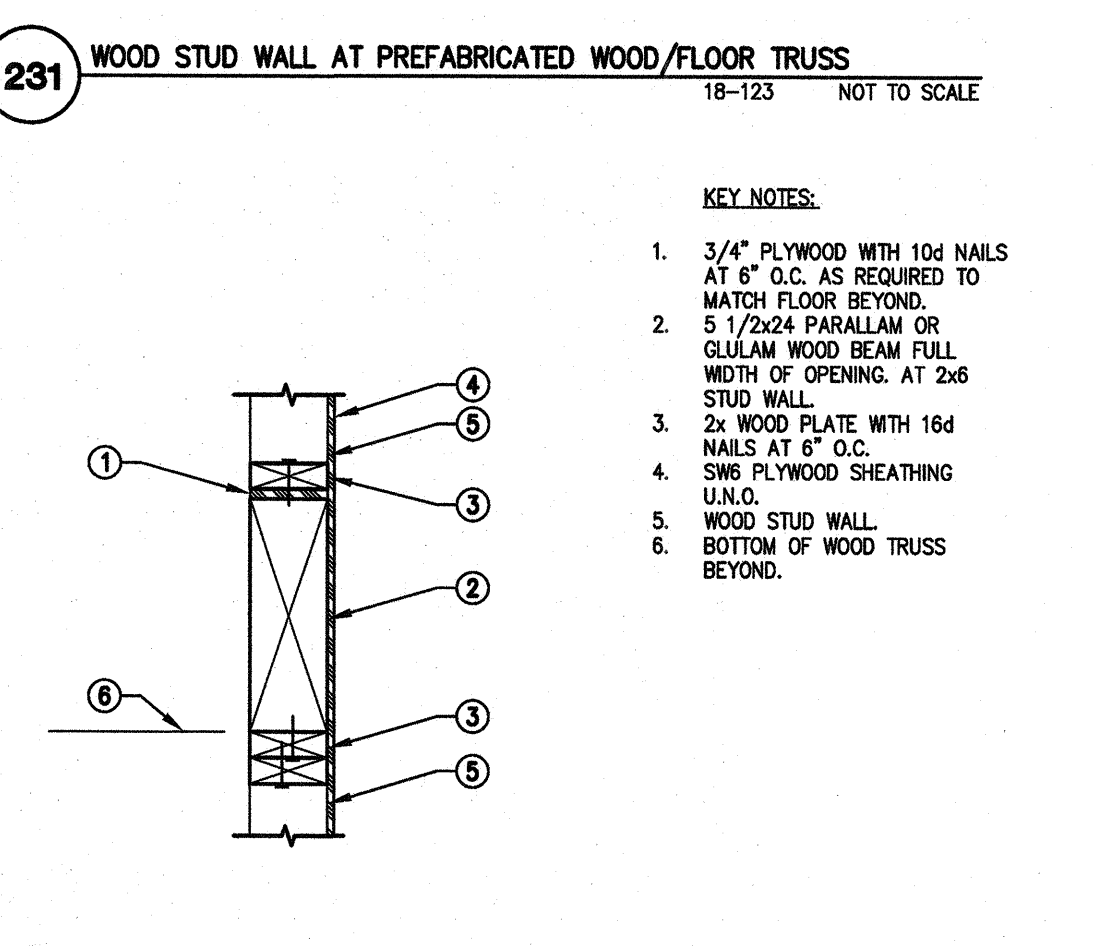
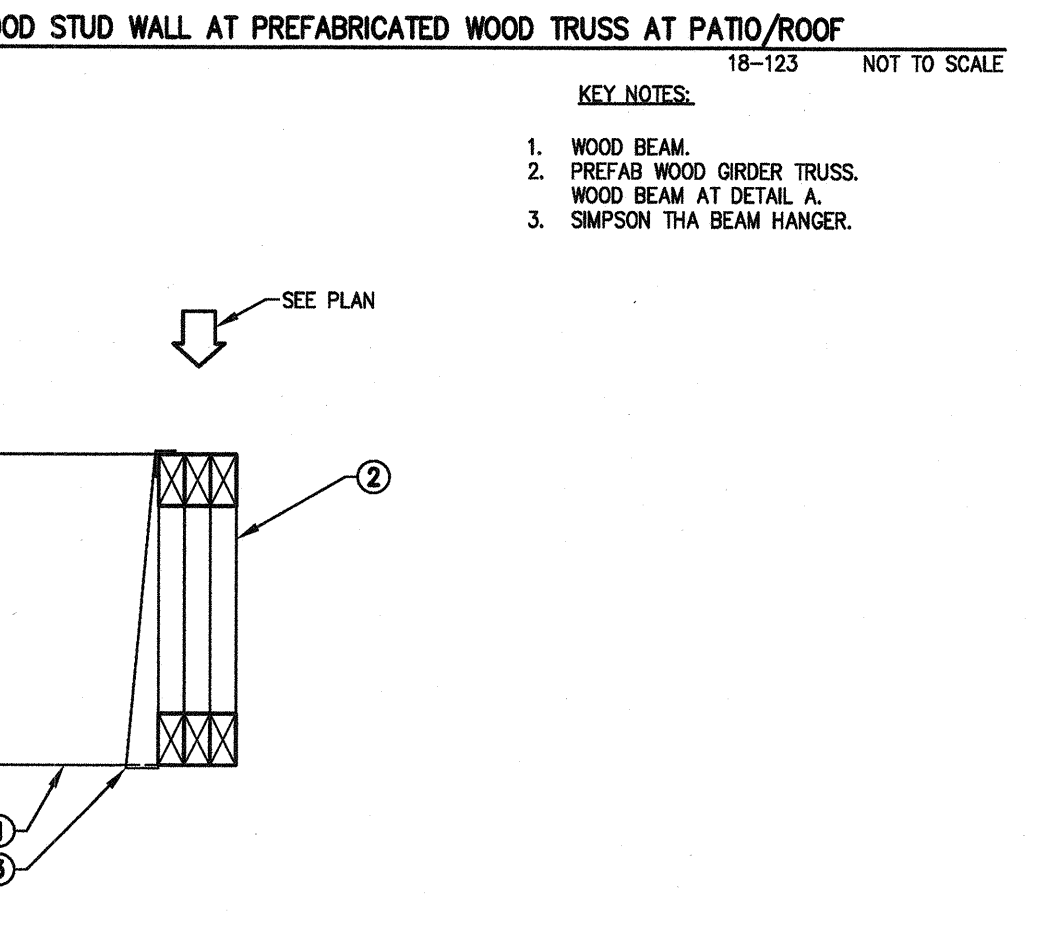
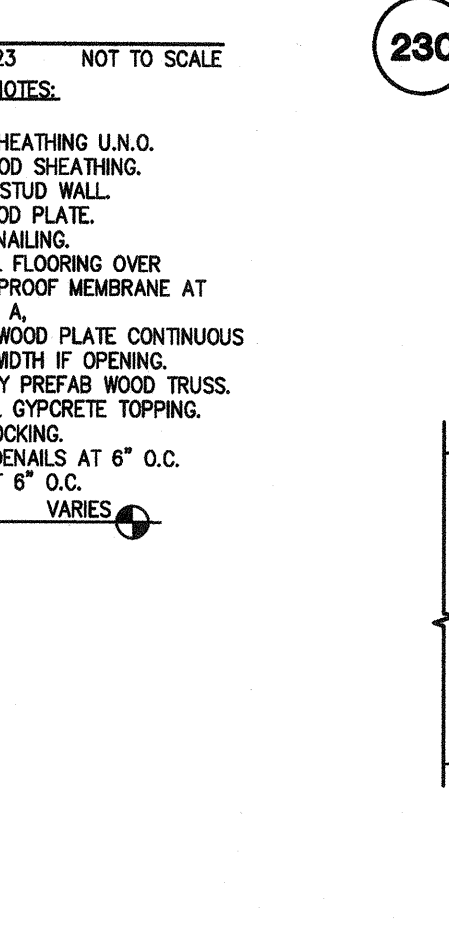
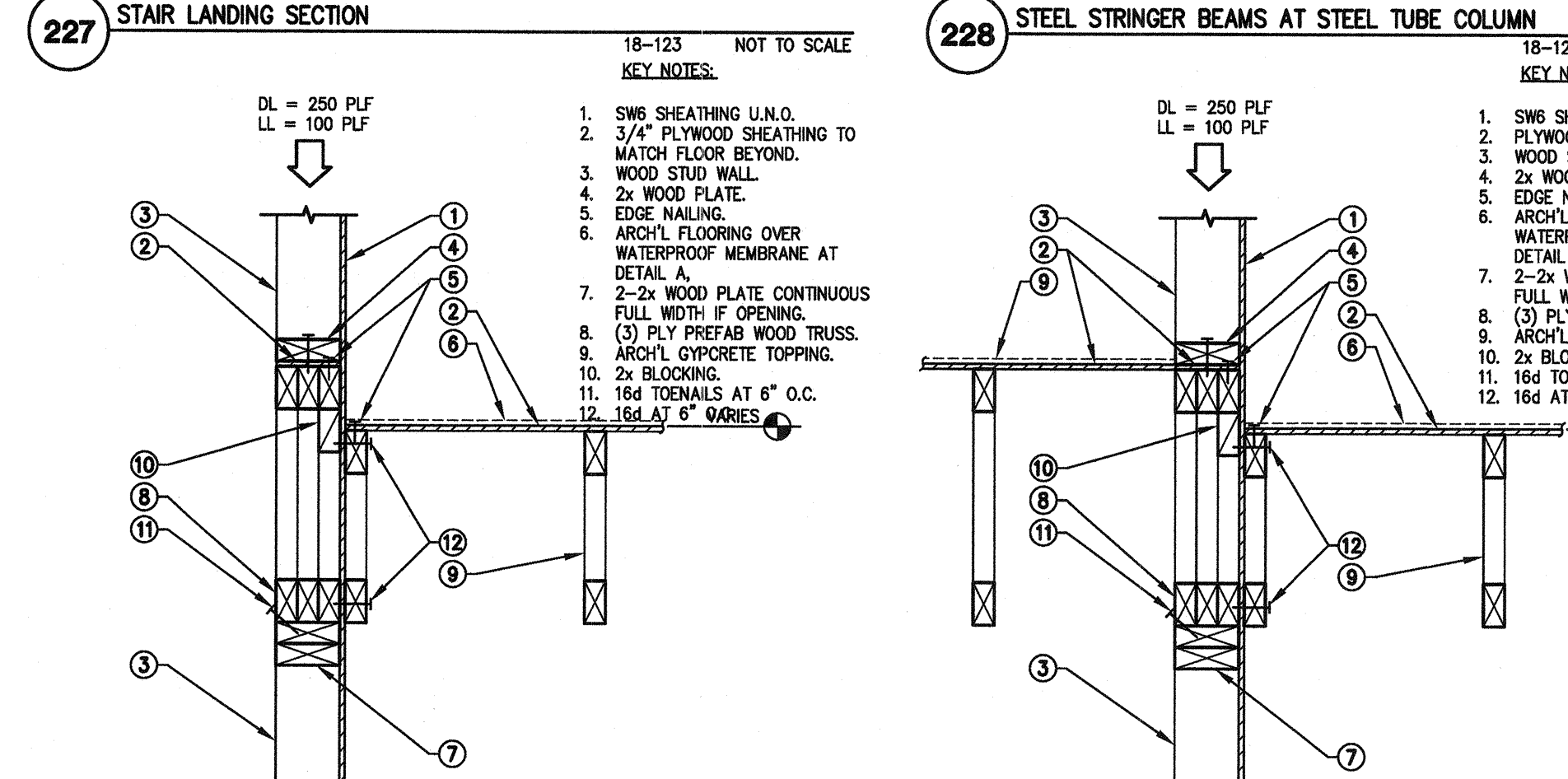
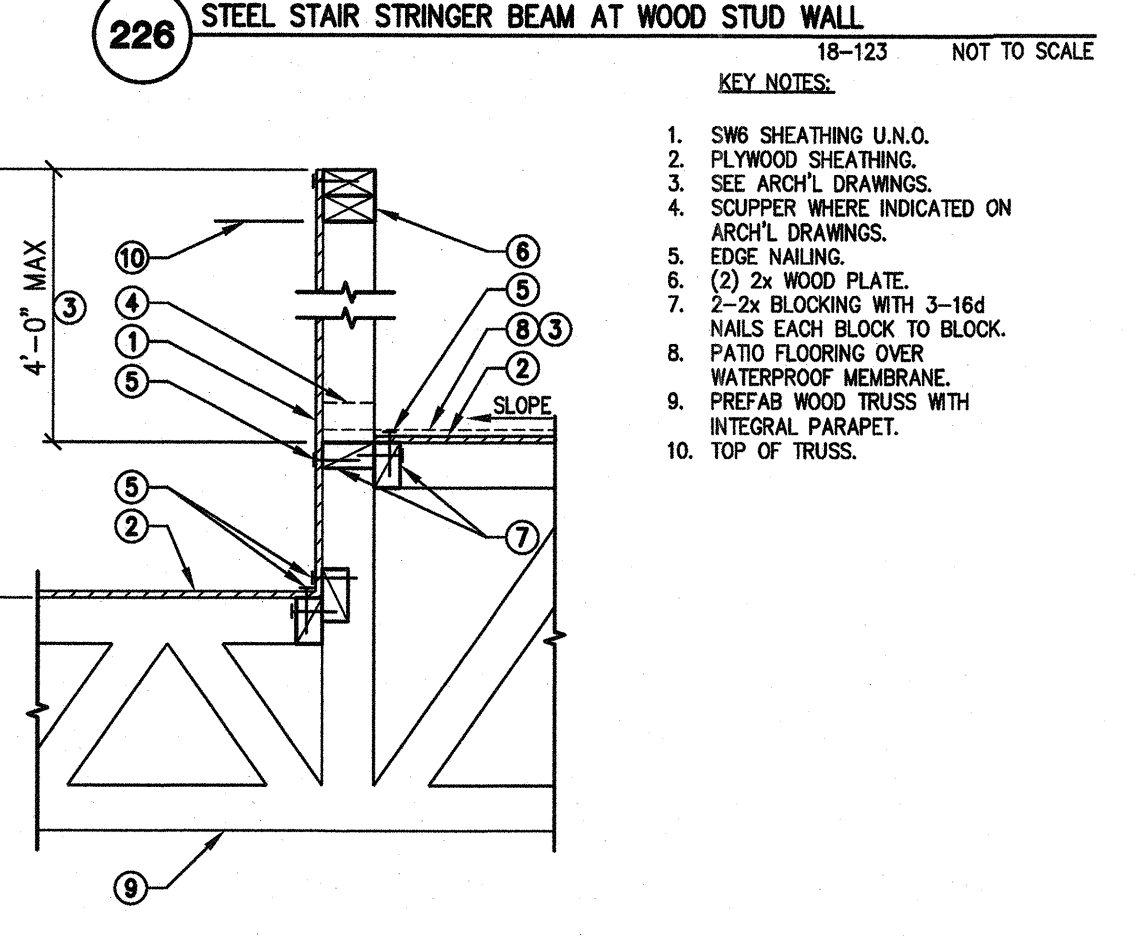
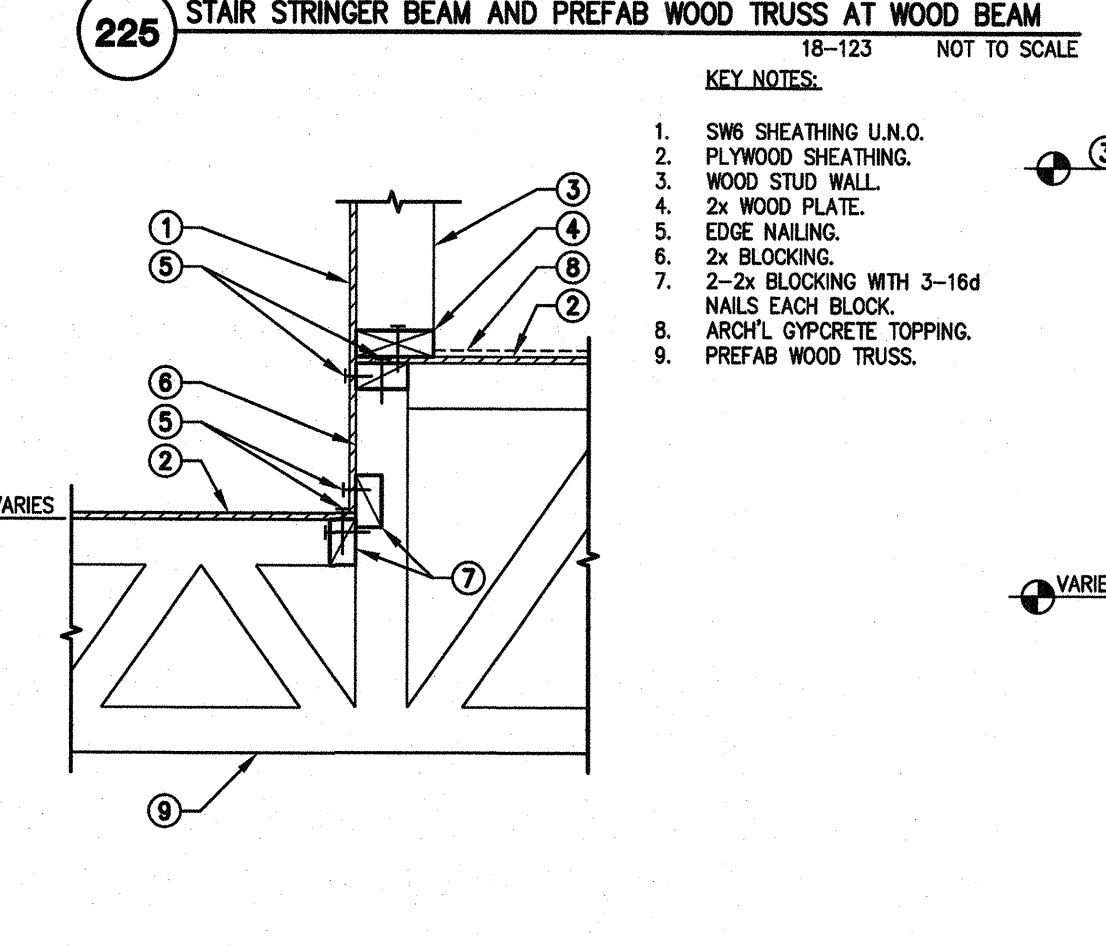
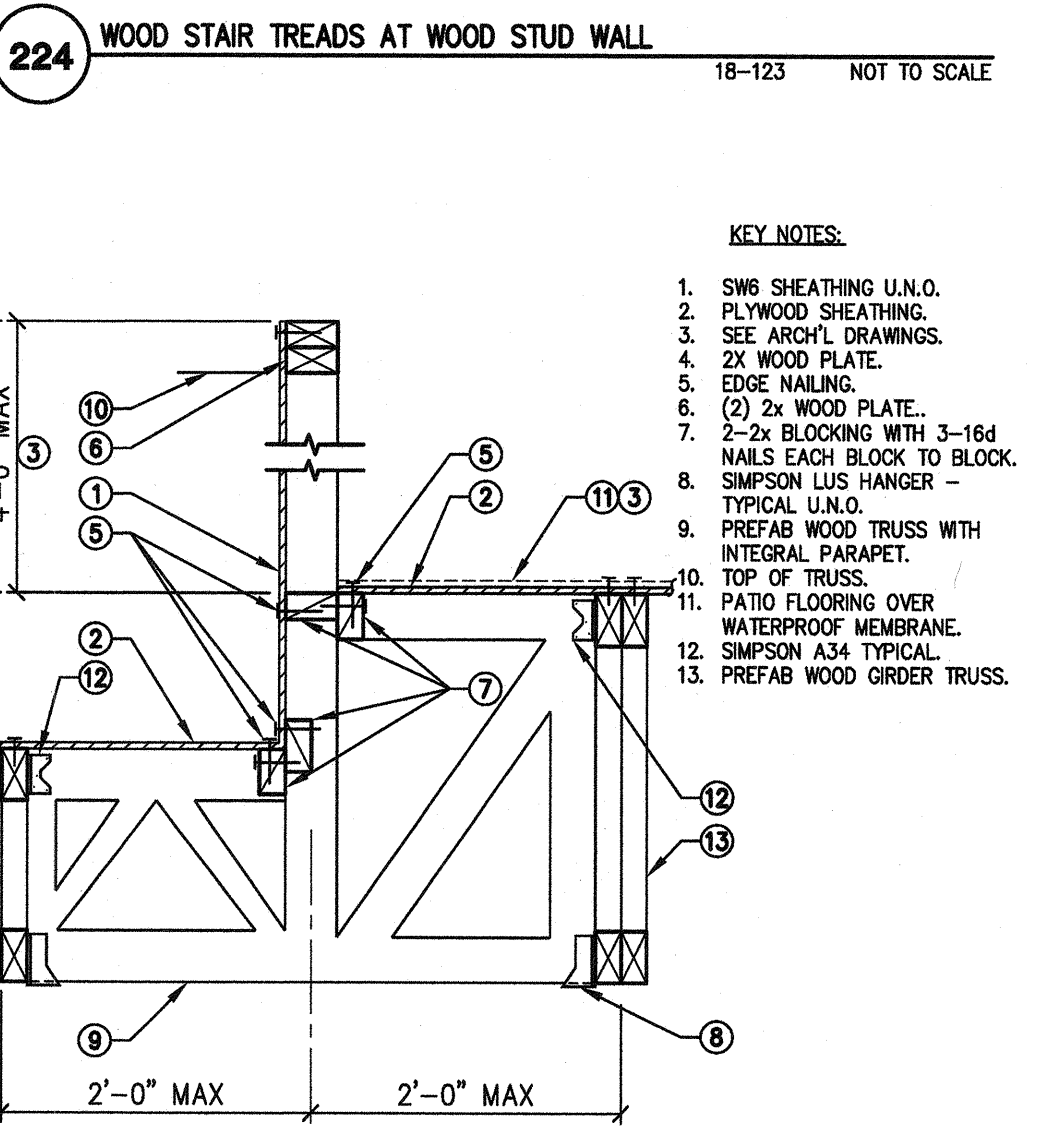
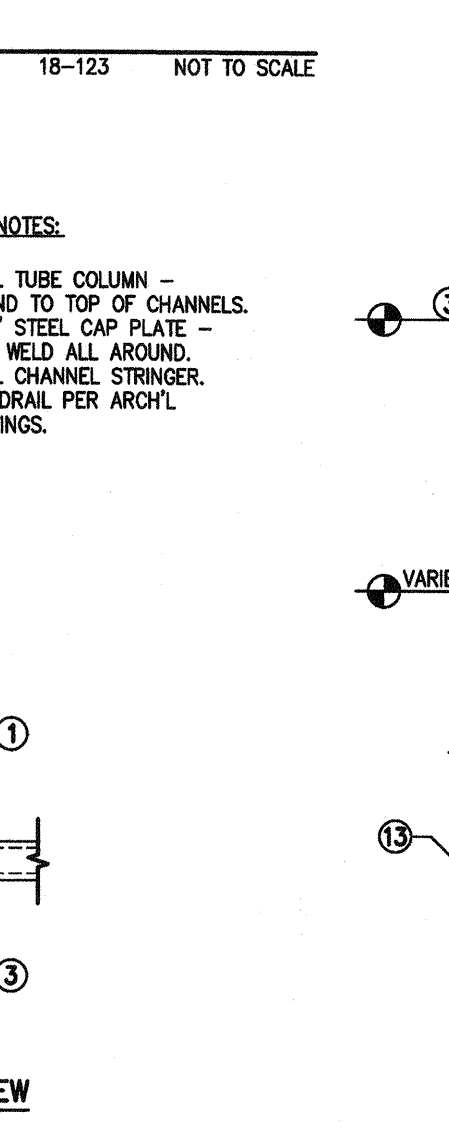
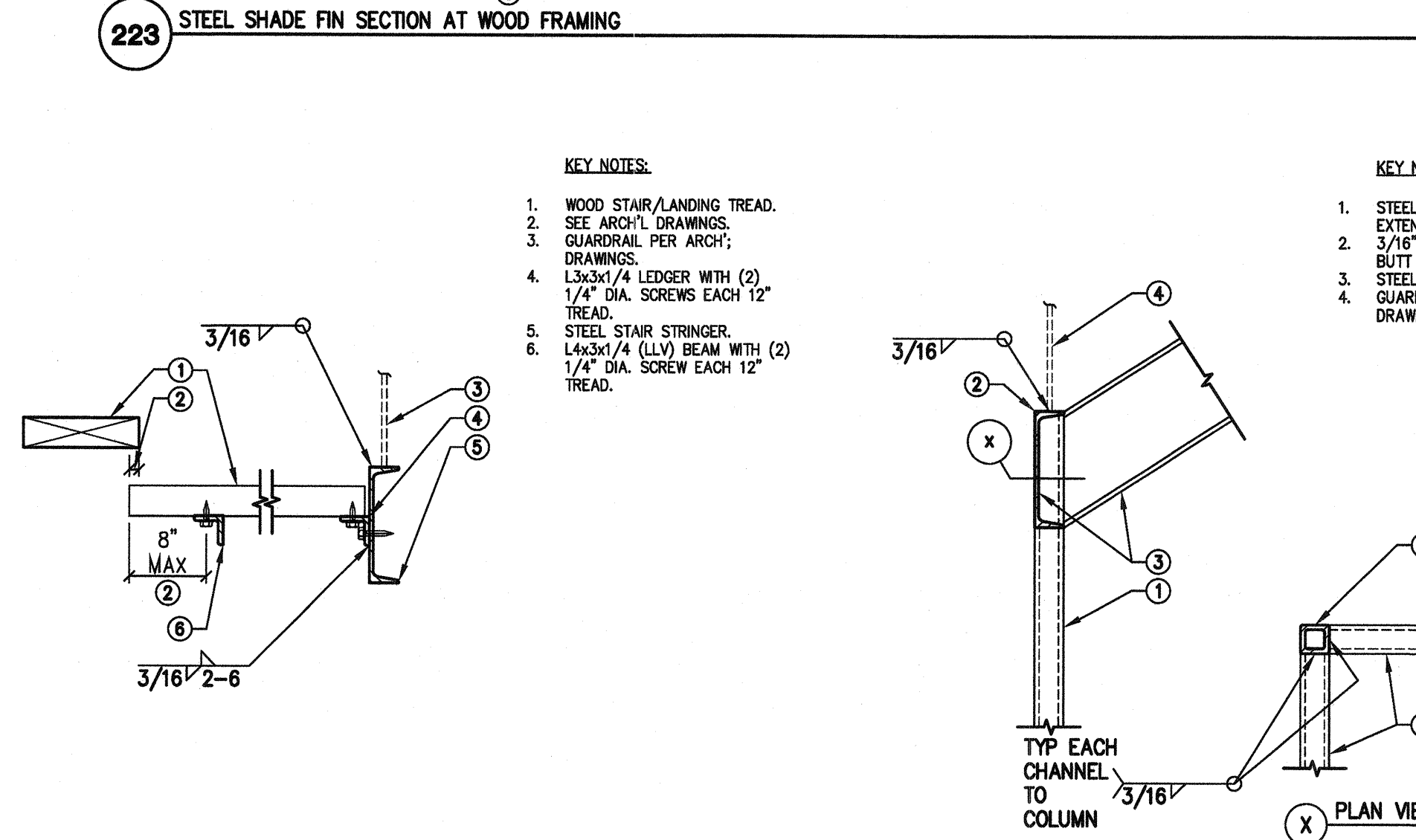
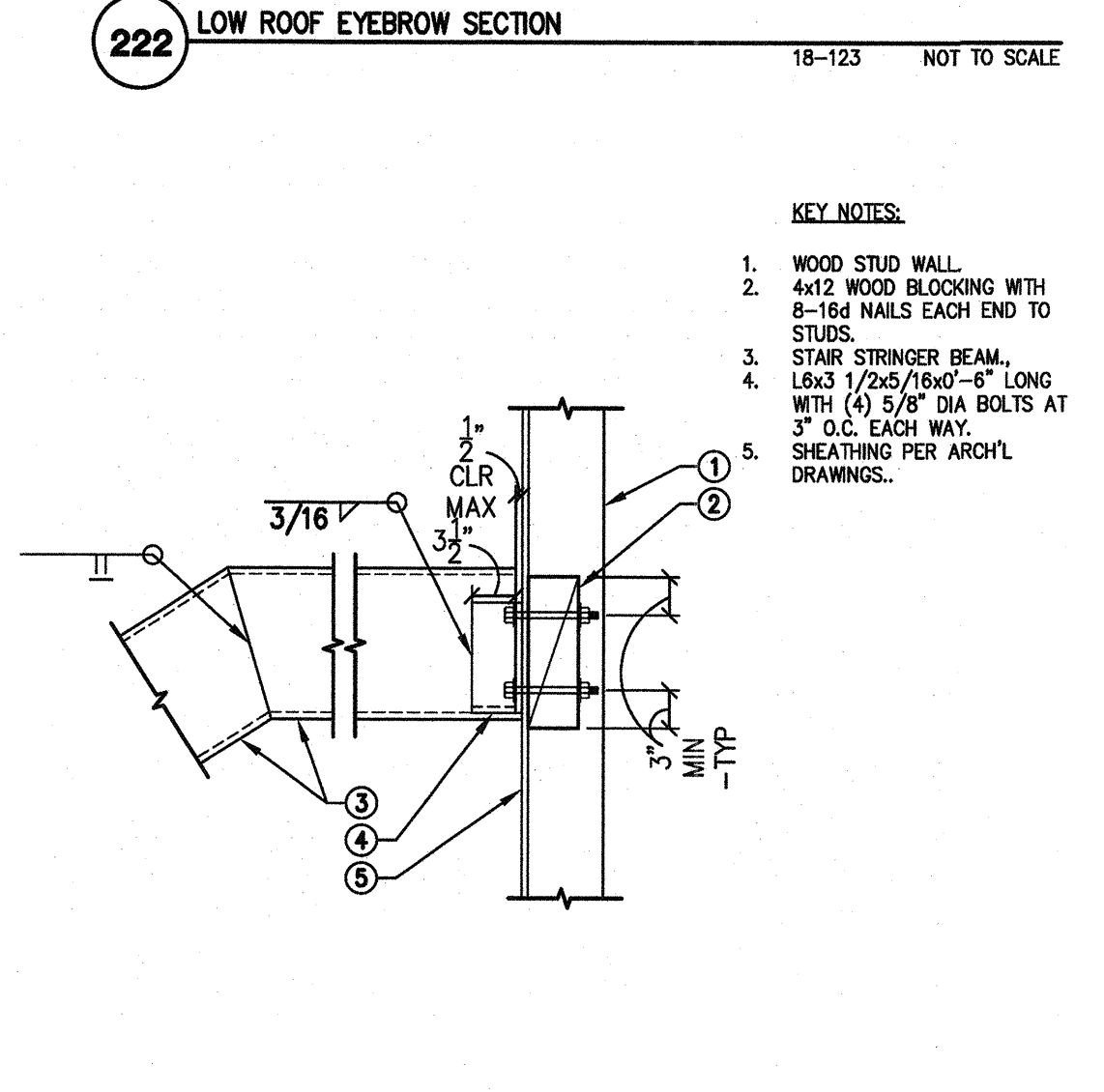
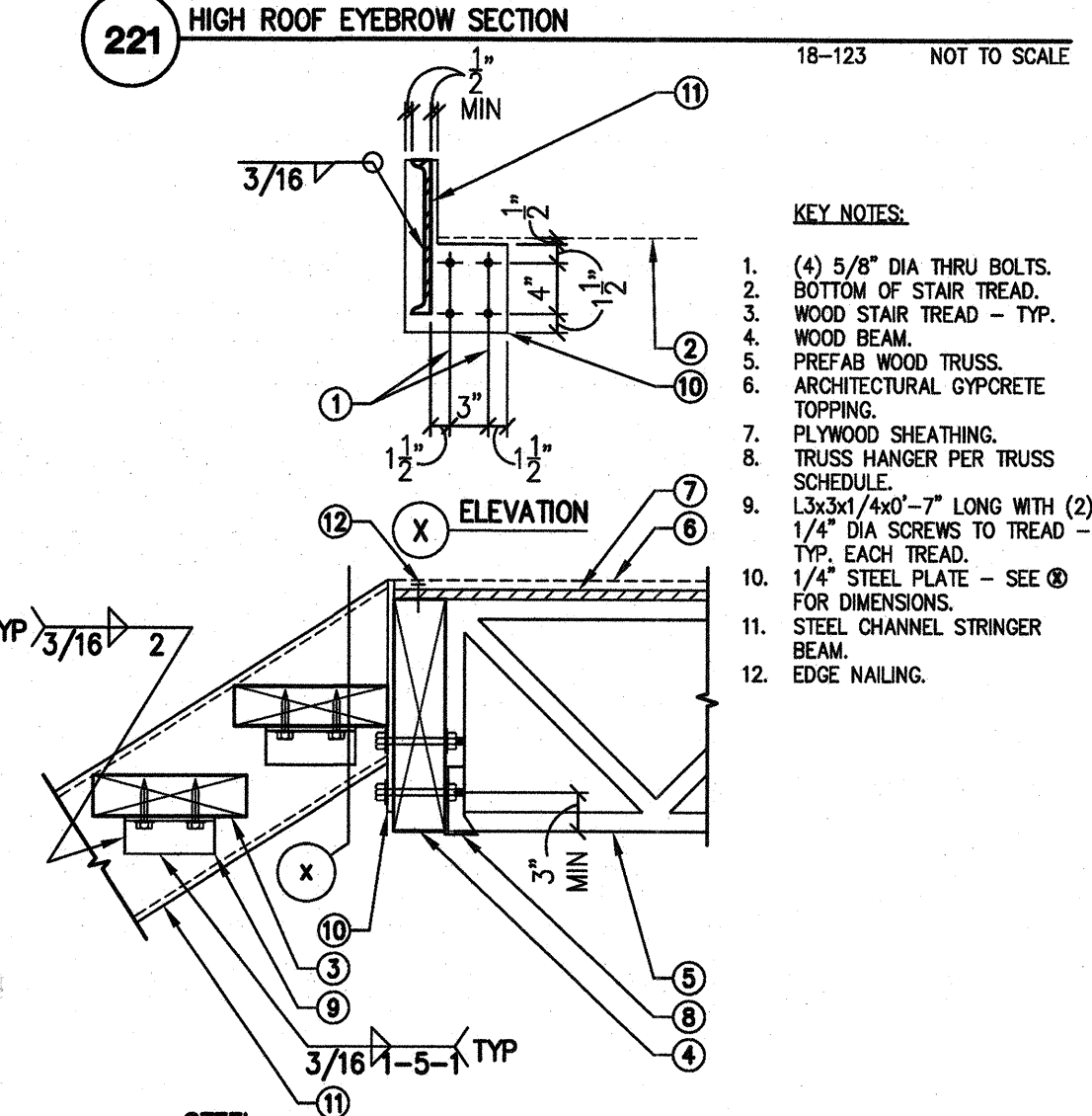
CITY OF PHOENIX
 Planning and Development Department
 By: [Signature]
 2019
 This set of plans has been reviewed for STRUCTURAL requirements prior to issuance of Building Permit and shall be kept at the construction site. Each reviewer shall not provide the Building Official from requiring correction of errors in the plans where such errors are subsequently found to be in violation of any law, ordinance, or rule.



- KEY NOTES:**
- 14 GAGE (MIN) METAL SHADE AND CONNECTION TO TUBE FRAMING PER ARCH'L DRAWINGS.
 - HSS 1 5/8" 5/8x1/8x1'-0" LONG (MIN) - TYPICAL WHERE INDICATED ON ELEVATIONS.
 - (2) 3/8" DIA. SCREWS/BOLTS AT 6" O.C. MIN - TYPICAL EACH CONNECTION.
 - HSS 2x4x1/8x1'-0" LONG (MIN) SLEEVE OVER TUBE - TYPICAL EACH CONNECTION.
 - PLYWOOD SHEATHING FROM BEYOND. NOTCH AT CONNECTION.
 - 3/8x3/8-6 1/2" (LSV) STEEL PLATE WITH (4) 3/8" DIA. LAG SCREWS OR TUBU BOLTS AT 4" O.C. VERTICALLY (PREDRILL HOLES).
 - JAMB STUDS (2 - 2x MIN) OR WOOD BEAM.
 - SEE ARCH'L DRAWINGS FOR ORIENTATION.
 - WINDOW OPENING.
 - CONNECTION PER SECTIONS - TYP.
 - SEE ARCH'L DRAWINGS.
 - 3/8x3/8-6 1/2" (LSV) STEEL PLATE WITH (4) 3/8" DIA. LAG SCREWS AT 3" O.C. HORIZONTALLY (PREDRILL HOLES) - TYP AT BEAM.
 - WOOD HEADER.
 - WOOD STUDS/2x WOOD PLATE.
 - HSS2x4x1/8 STEEL TUBE FRAME WITH AESS FINISH.
 - MITRE CUT AND BUTT WELD ALL AROUND AT OUTER CORNERS.



- KEY NOTES:**
- WOOD STUD WALL SHEATHING PER ARCH'L DRAWINGS.
 - 1 3/8x1/4x1'-0" LONG WITH (4) SWS SCREWS AT 2 1/2" O.C. TO BLOCKING AND (2) 1/4" DIA SCREWS TO TREAD - TYP EACH TREAD.
 - WOOD STAIR TREAD.
 - 4x8 (MIN) WOOD BLOCKING WITH 4-16d EACH END.



CONSTRUCTION DOCUMENTS

Revision Schedule		
No.	Date	Description
1	08.13.19	CITY COMMENTS - SECOND REVIEW

CITY OF PHOENIX
Planning and Development Department

By: **JEAN ABRAMO**

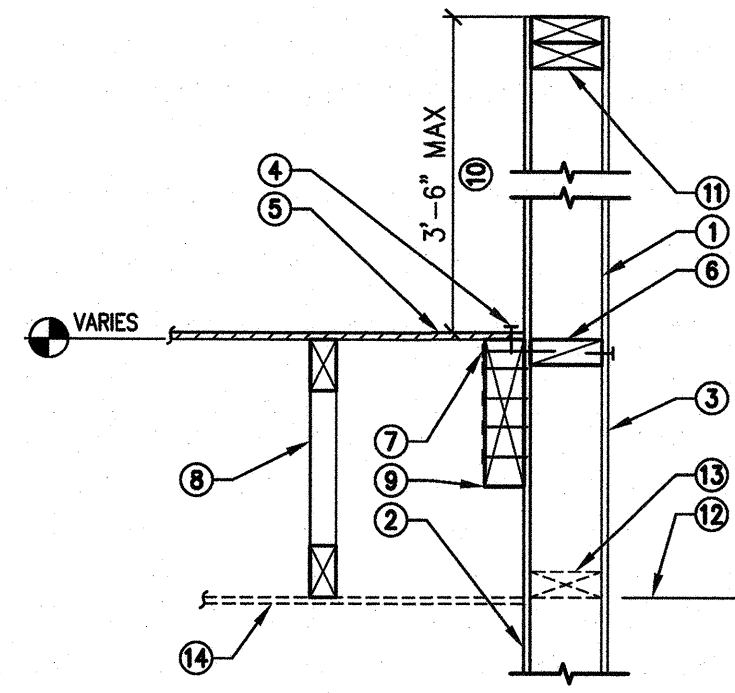
019

This set of plans has been reviewed for STRUCTURAL compliance. Requirements prior to issuance of Building Permits are shall be used at the construction site. Such review shall not prevent the Building Official from requiring correction of errors in the plans where such errors are subsequently found to be in violation of applicable codes.

18123-SS-12.dwg 8/13/2019 12:37 PM

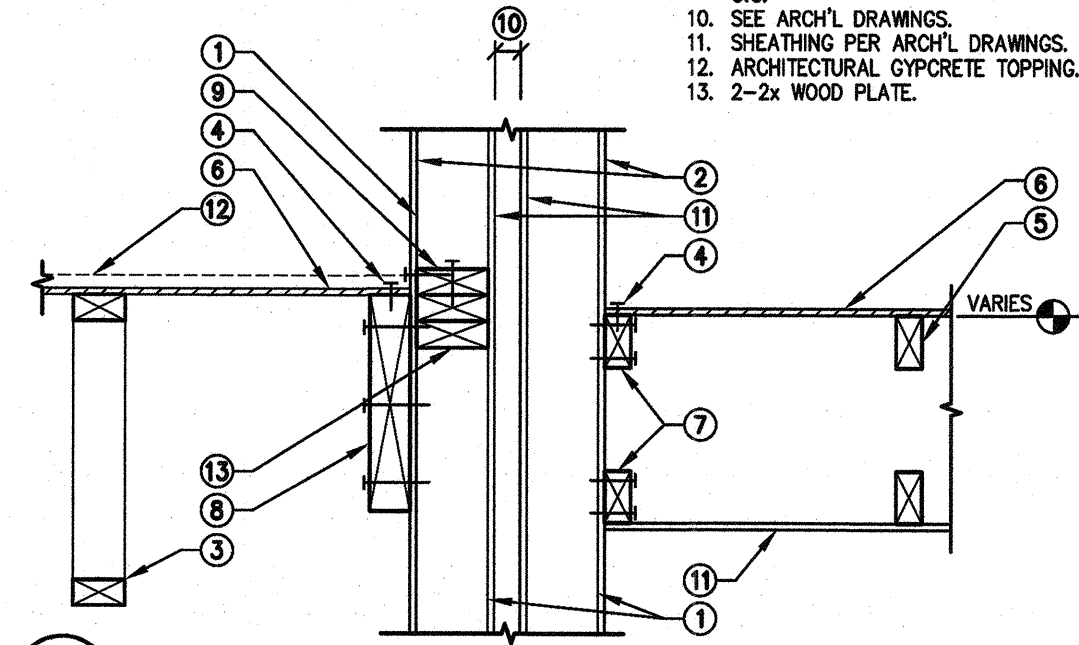
KEY NOTES:

1. WOOD STUD WALL - TYP.
2. SWBG GYPSBOARD SHEAR WALL SHEATHING (MIN) U.N.O. - TYP.
3. SWG PLYWOOD SHEATHING.
4. EDGE NAILING.
5. PLYWOOD SHEATHING.
6. 2x WOOD BLOCKING.
7. SIMPSON SDWS SCREWS AT 6" O.C. MAX TO 2x BLOCKING.
8. PREFAB WOOD TRUSS.
9. WOOD LEDGER.
10. SEE ARCH'L DRAWINGS.
11. 2-2x WOOD PLATE.
12. BOTTOM OF WALL AT DETAIL A.
13. 2x WOOD PLATE FULL LENGTH OF JOISTS AT DETAIL A.
14. SHEATHING PER ARCH'L DRAWINGS AT DETAIL A.



241 PLYWOOD ROOF SHEATHING AT WOOD STUD PARTY WALL
AS NOTED
601-01.1M NOT TO SCALE
KEY NOTES:

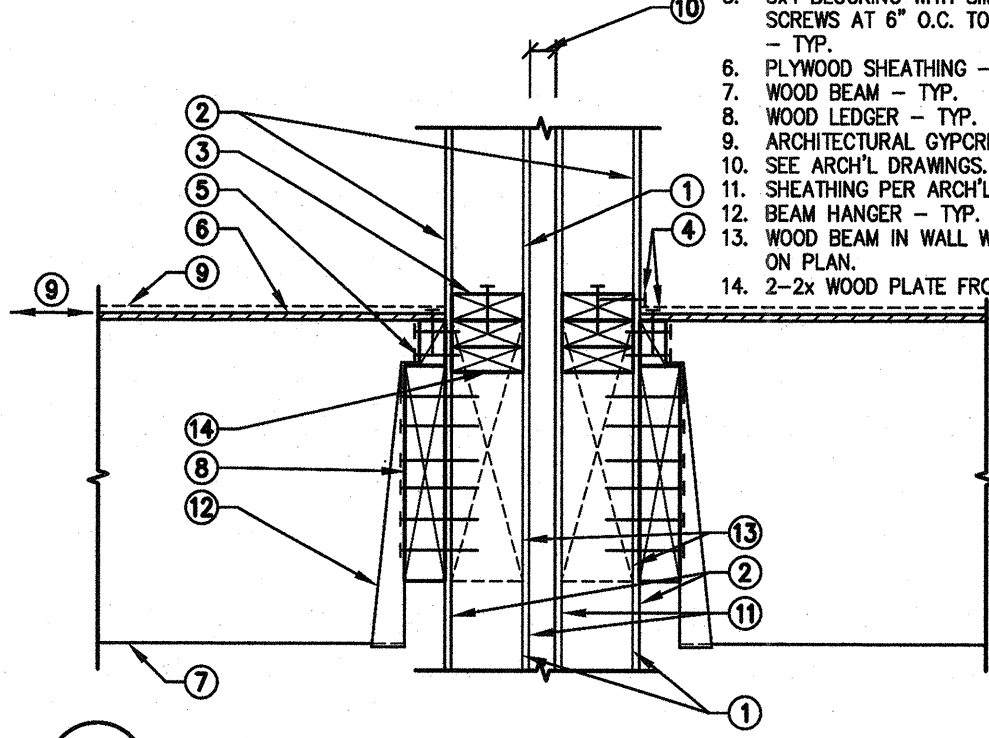
1. WOOD STUD WALL.
2. SWBG GYPSBOARD SHEAR WALL SHEATHING (MIN) U.N.O. - TYP.
3. PREFABRICATED WOOD TRUSS - TYP.
4. EDGE NAILING - TYP.
5. WOOD JOIST.
6. PLYWOOD SHEATHING - TYP.
7. 2x6 WOOD LEDGER WITH (2) SDWS SCREWS AT EACH STUD.
8. WOOD LEDGER - TYP.
9. 2x WOOD PLATE WITH 16d AT 6" O.C.
10. SEE ARCH'L DRAWINGS.
11. SHEATHING PER ARCH'L DRAWINGS.
12. ARCHITECTURAL GYPCRETE TOPPING.
13. 2-2x WOOD PLATE.



246 PLYWOOD SHEATHING AT WOOD STUD PARTY WALLS
18-123 NOT TO SCALE

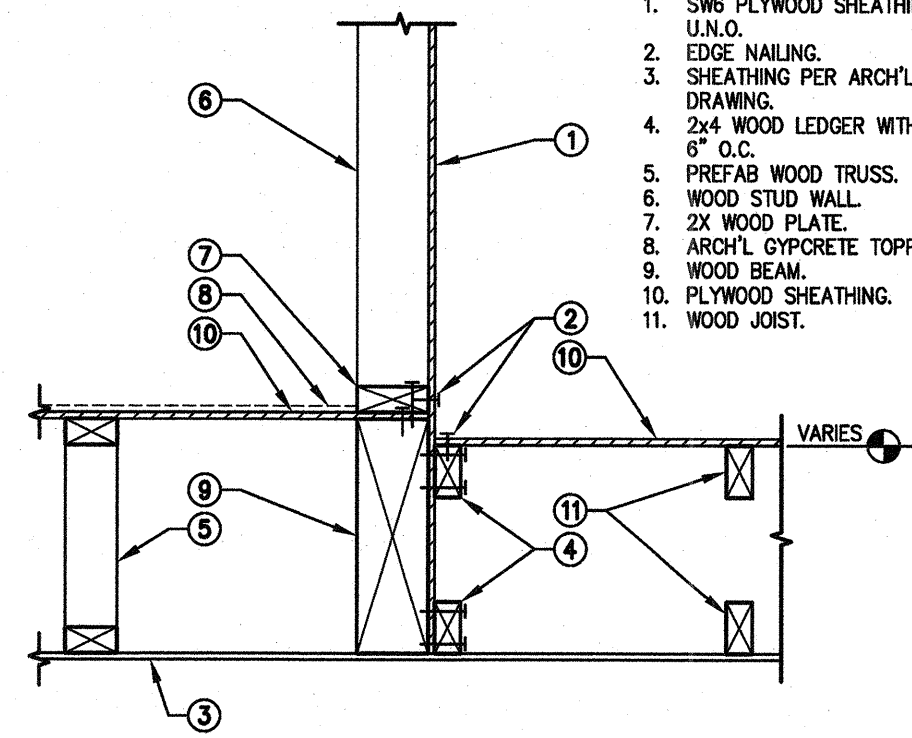
KEY NOTES:

1. WOOD STUD WALL - TYP. PROVIDE MULTIPLE STUDS PER PLAN.
2. SWBG GYPSBOARD SHEATHING (MIN) U.N.O. - TYP.
3. 2x WOOD PLATE FROM BEYOND.
4. EDGE NAILING - TYP.
5. 3/4\"/>



242 WOOD BEAMS AT WOOD STUD PARTY WALLS
AS NOTED
453-01M NOT TO SCALE
KEY NOTES:

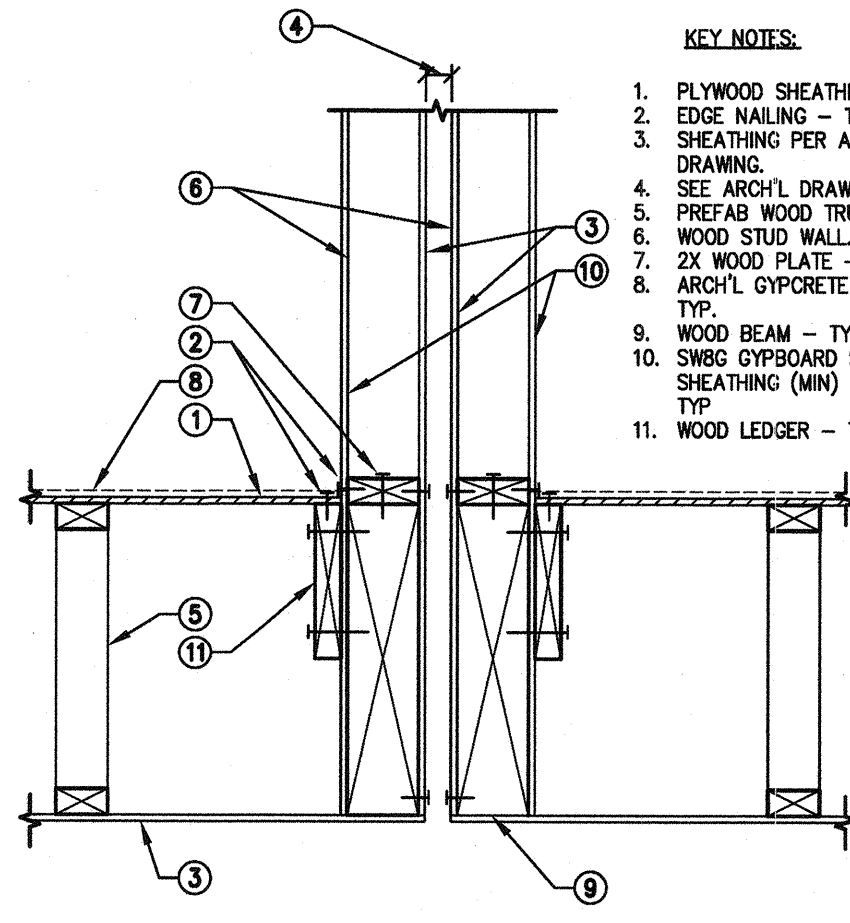
1. SWG PLYWOOD SHEATHING U.N.O.
2. EDGE NAILING.
3. SHEATHING PER ARCH'L DRAWING.
4. 2x4 WOOD LEDGER WITH 16d AT 6" O.C.
5. PREFAB WOOD TRUSS.
6. WOOD STUD WALL.
7. 2x WOOD PLATE.
8. ARCH'L GYPCRETE TOPPING.
9. WOOD BEAM.
10. PLYWOOD SHEATHING.
11. WOOD JOIST.



247 PLYWOOD SHEATHING AND EXTERIOR WOOD STUD WALL AT WOOD BEAM
18-123 NOT TO SCALE

KEY NOTES:

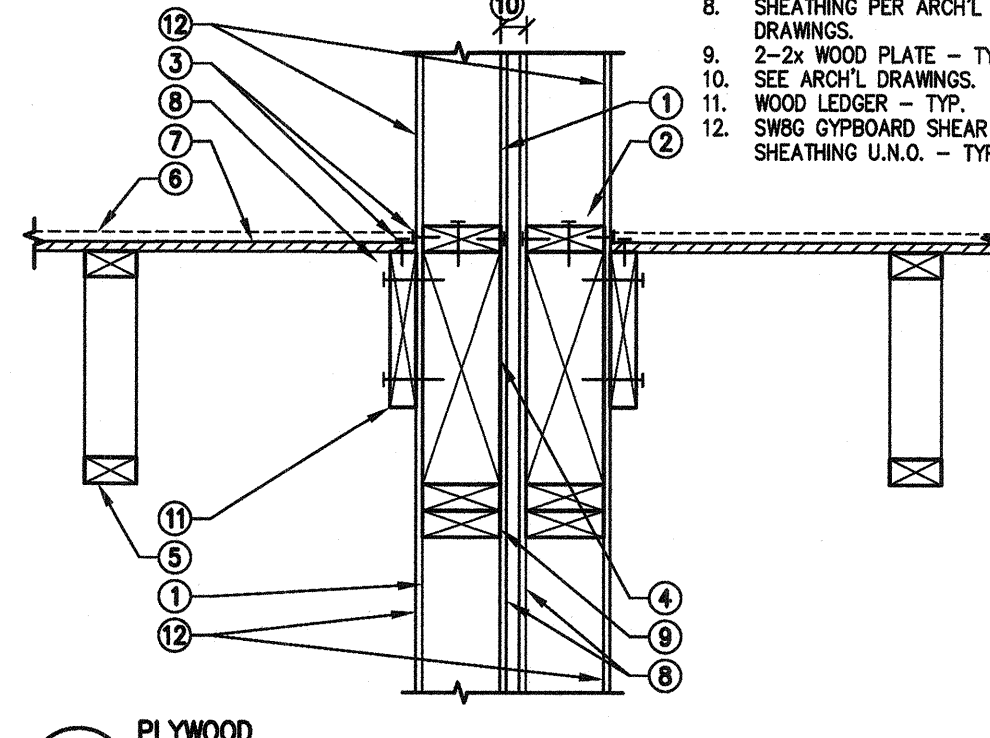
1. PLYWOOD SHEATHING - TYP.
2. EDGE NAILING - TYP.
3. SHEATHING PER ARCH'L DRAWING.
4. SEE ARCH'L DRAWINGS.
5. PREFAB WOOD TRUSS - TYP.
6. WOOD STUD WALL.
7. 2x WOOD PLATE - TYP.
8. ARCH'L GYPCRETE TOPPING - TYP.
9. WOOD BEAM - TYP.
10. SWBG GYPSBOARD SHEAR WALL SHEATHING (MIN) U.N.O. - TYP.
11. WOOD LEDGER - TYP.



243 PLYWOOD SHEATHING AND WOOD STUD PARTY WALLS AT WOOD BEAMS
18-123 NOT TO SCALE

KEY NOTES:

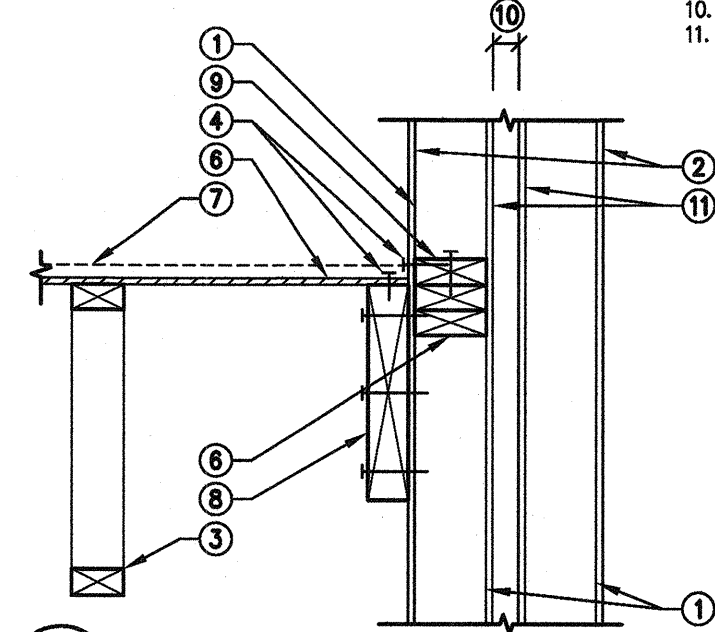
1. WOOD STUD WALL - TYP.
2. 2x WOOD PLATE - TYP.
3. EDGE NAILING.
4. WOOD BEAM - TYP.
5. PREFAB WOOD TRUSS - TYP.
6. ARCH'L GYPCRETE TOPPING - TYP.
7. PLYWOOD SHEATHING - TYP.
8. SHEATHING PER ARCH'L DRAWINGS.
9. 2-2x WOOD PLATE - TYP.
10. SEE ARCH'L DRAWINGS.
11. WOOD LEDGER - TYP.
12. SWBG GYPSBOARD SHEAR WALL SHEATHING U.N.O. - TYP.



244 PLYWOOD SHEATHING AND WOOD STUD PARTY WALLS AT WOOD BEAMS
18-123 NOT TO SCALE

KEY NOTES:

1. WOOD STUD WALL - TYP.
2. SWBG GYPSBOARD SHEAR WALL SHEATHING (MIN) U.N.O.
3. PREFABRICATED WOOD TRUSS - TYP.
4. EDGE NAILING - TYP.
5. 2-2x WOOD PLATE.
6. PLYWOOD SHEATHING - TYP.
7. ARCHITECTURAL GYPCRETE TOPPING - TYP.
8. WOOD LEDGER - TYP.
9. 2x WOOD PLATE WITH 16d AT 6" O.C.
10. SEE ARCH'L DRAWINGS.
11. SHEATHING PER ARCH'L DRAWINGS - TYP.




245 PLYWOOD SHEATHING AT WOOD STUD PARTY WALLS
18-123 NOT TO SCALE

CONSTRUCTION DOCUMENTS

Revision Schedule		
No.	Date	Description
△	08.13.19	CITY COMMENTS - SECOND REVIEW

CITY OF PHOENIX
Planning and Development Department

By: 
GREG HORGAN

2019

This set of plans has been reviewed for STRUCTURAL requirements prior to issuance of Building Permits and shall be held to the construction file. Such review shall not prevent the Building Official from requiring correction of errors in this plan set where such errors are subsequently found to be in violation of any law or ordinance.